

24S2 100W 24VDC POWER SUPPLY

Specifications

SKU 701895-24S2

Warranty 10-year product/5-year limited labor

Performance

Rated input voltage 108-240 VAC, 277 VAC (North America only)

Max. input voltage 108-240 VAC

Frequency 50-60 Hz

Rated input current 1.2 A max.

Inrush current <80 A max. @ 277 VAC, 60 Hz

Efficiency >85% minimum @ 120 VAC (full-load)

Power factor >0.90 @ 120-277 VAC (full-load)

THD <20% @ 120-277 Vac (full-load)
<20% @ 277 VAC (65% load)

Rated output voltage 24 VDC

Rated output current 4 ADC

Max. output power 96 W

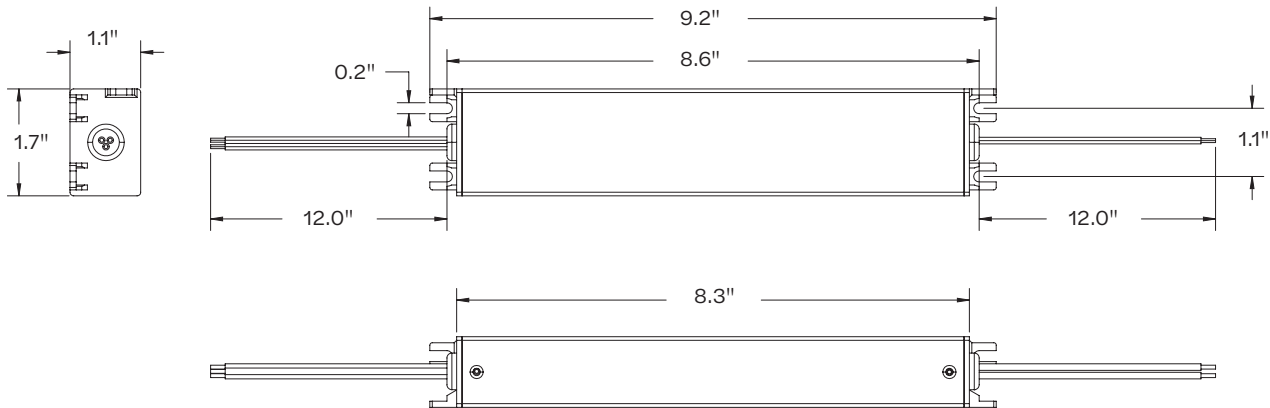
Line regulation <1%

Load regulation <3%



Dimensions

Weight: 1.17 lbs



Safety

Over current Yes, auto-recovery

Over temperature Yes, 100° to 110° C case, auto-recovery

Short circuit Yes, auto-recovery

Surge immunity Line – Earth → 4 kV
Line – Neutral → 2 kV

Environment

IP rating IP54, dry and damp locations only

Maximum case temp. 90° C

Operating ambient temp. -40°~+60° C, derated up to 65° C with 50% of load

Storage temp. -40°~+85° C

Lifetime 25,000 hours @ +60° C ambient with 100 % load

Compliance

Safety standard UL879 Class 2, UL879A, CE
(EN61347-2-13:2014, EN61347-1:2008)

EMI standard FCC part 15 Class B, EN55015

Harmonic current emission IEC/EN61000-3-2 Class C

Surge IEC/EN61000-4-5



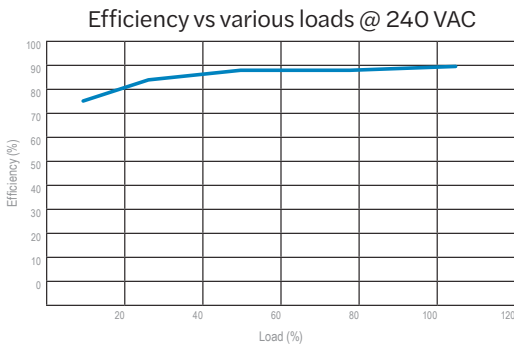
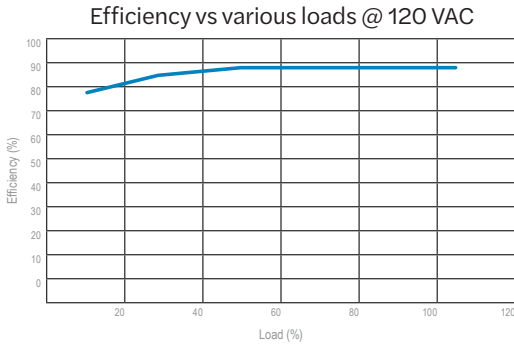
In the end application, the maximum case temperature (Tc) shall not be exceeded 90° C.
The product is intended for IP64 environment.

Specifications subject to change without notice.

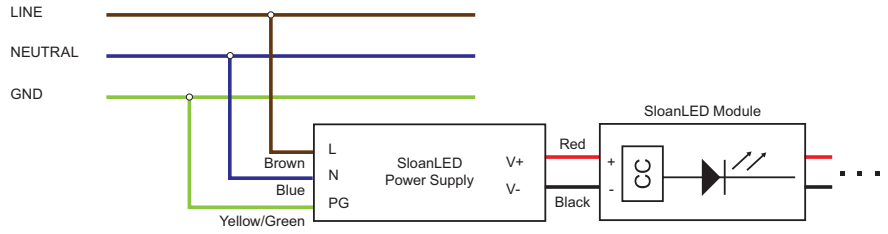


24S2 100W 24VDC POWER SUPPLY

Efficiency



Wiring Diagram



Wire Gauge Distance Chart for Power Limited Tray Cable (PLTC)

When the distance increases between the secondary side of the power supply and the first LED in a letter or the beginning of a tubing run, the gauge or wire needed will change as follows:

Distance from power supply	Wire gauge
0 to 15 ft	18
15 to 50 ft	14
50 to 100 ft	12
100 to 150 ft	10

Power supply output 18"
lead length



principalsloan.com
325.227.4577
3490 Venture Dr., San Angelo, TX 76905