

347V 60W Power Supply



PART

UL Part Number	Ordering Part Number
PL-60-12-347	P-OX060-12-PL

PERFORMANCE

Input Voltage	277~347 VAC
Input Current	0.3A~0.23A
Input Frequency	47~63Hz
Power Factor	≥0.90
Output Voltage	DC12V ±3%
Output Current	0-5.0A
Output Power	60W Max.

PHYSICAL

Length	7.91" (201mm)
Width	1.90" (48.5mm)
Height	1.39" (35.5mm)
Mounting Length	8.97" (228mm)
Weight	1.36lbs (620g)
Lead Lengths	2.59" ±0.39" (320mm ± 10mm)

ORDERING GUIDE

P	O	X	060	12	PL
Power Supplies	Outdoor, Direct-wire	277~347 VAC	Max. 60W	12VDC Output	Principal LED Power Supply

FEATURES

- Input voltage 277~347 VAC
- Meet UL/CE/EMC/FCC/ROHS/CSA Certificate
- Aluminum shell, silicone potted
- 100% full load burn-in tested
- Dry or damp locations rated

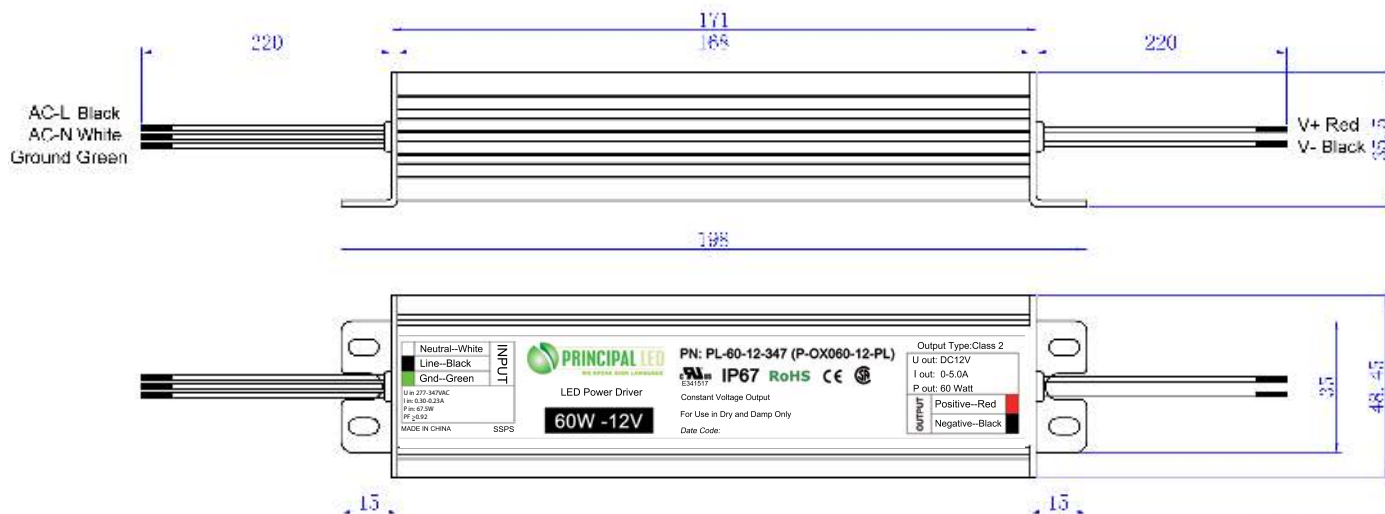
SAFETY

Over Current Protection	110~120%
Short Circuit Protection	Hiccup mode, auto recover
Other Protection	Over voltage
UL	UL879 / UL8750
CE-LVD	EN61347-1:2008 + A1:2011+ A2:2013 EN61347-2-13:2014

ENVIRONMENTAL

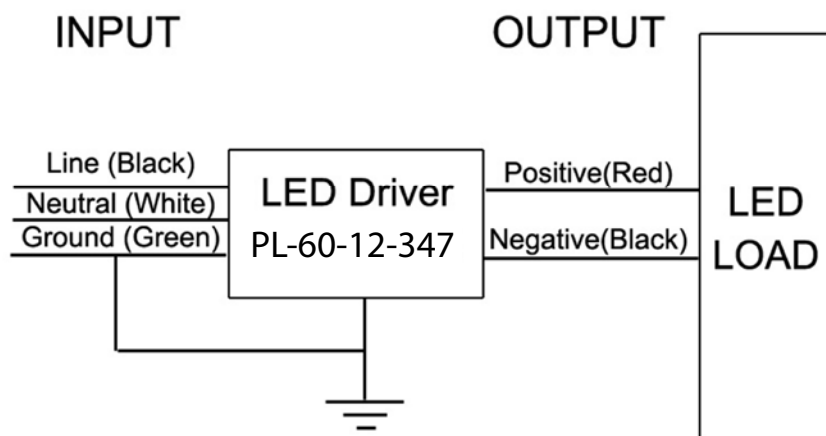
CE-EMC	EN55015, EN61547, EN61000
FCC	FCC 47 CFR PART 15, CLASS B
IP Rating	IP67
Operating Temperature	-30°C to 60°C (-22°F to 140°F)
Storage Temperature	-40°C to 85°C (-40°F to 185°F)
Relative Humidity	20 to ±90% RH non cond.

MECHANICAL OUTLINE:



Unit: mm
Model: PL-60-12-347

WIRING DIAGRAM:



www.p-led.com

(325) 227-4577

3490 Venture Drive, San Angelo, Texas 76905

info@p-led.com