

# 60C3D 60W 12VDC POWER SUPPLY



## Specifications

SKU ..... 701507-60C3D

Warranty ..... 5-year product/5-year limited labor

**Performance**

Rated input voltage ..... 120-277 VAC

Max. input voltage ..... 108-305 VAC

Frequency ..... 60/50 Hz

Rated input current ..... 0.8 A max.

Inrush current ..... 70 A max. @ 277 VAC, 60 Hz

Efficiency ..... >88% @ 120 VAC

Power factor ..... >0.95 @ 240 VAC (full-load)  
>0.90 @ 277 VAC (65% load)

THD ..... <20% @ 120-277 VAC (full-load)  
<20% @ 277 VAC (65% load)

Rated output voltage ..... 12 VDC

Rated output current ..... 5 ADC

Max. output power ..... 60 W

Line regulation ..... <1%

Load regulation ..... <3%



## Safety

Over current ..... Yes, auto-recovery

Over temperature ..... Yes, 100° to 110° C case, auto-recovery

Short circuit ..... Yes, auto-recovery

Surge immunity ..... Line – Earth → 4 kV  
Line – Neutral → 2 kV

## Dimming

Dimming method ..... 0-10 V, PWM and resistor

Minimum dimming level ..... 1%

Current consumption ..... 0.1 mA sourcing

## Environmental

IP rating ..... IP64

Maximum case temp. .... 90° C

Operating ambient temp. .... -40°~+60° C, derated up to 70° C with 50% of load

Storage temp. .... -40°~+85° C

Lifetime ..... 25,000 hours @ +60° C ambient with 100 % load

## Compliance

Safety standard ..... UL8750 Class P Listed, UL879/879A, CE

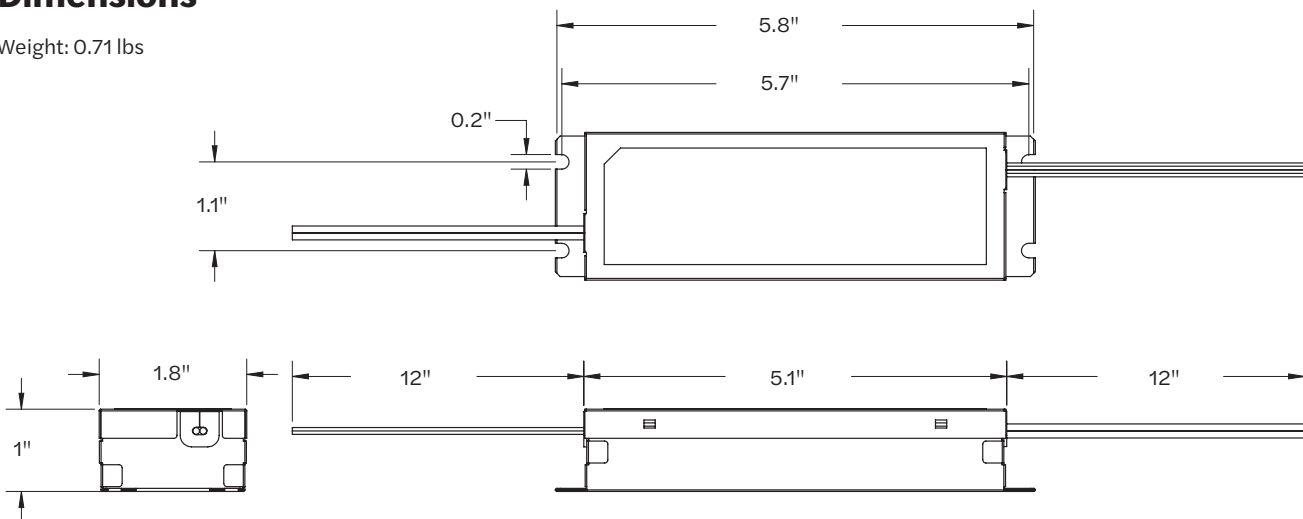
EMI standard ..... EN55015

Harmonic current emission ..... IEC/EN61000-3-2 Class C

Surge ..... IEC/EN61000-4-5

## Dimensions

Weight: 0.71 lbs



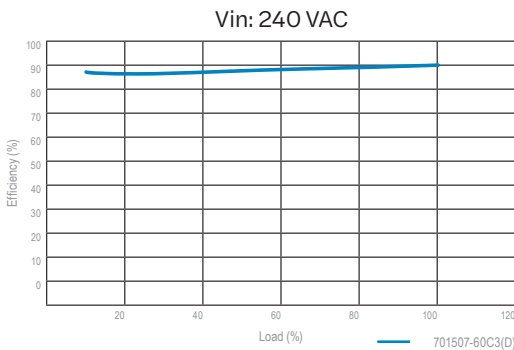
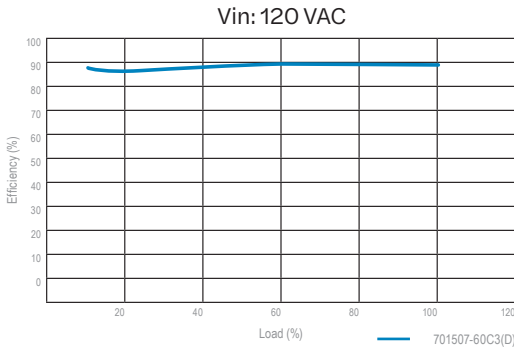
In the end application, the maximum case temperature (Tc) shall not be exceeded 90° C.  
The product is intended for IP64 environment.

Specifications subject to change without notice.

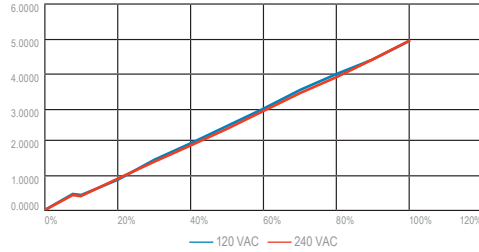


# 60C3D 60W 12VDC POWER SUPPLY

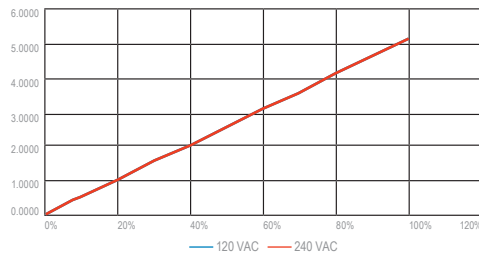
## Efficiency



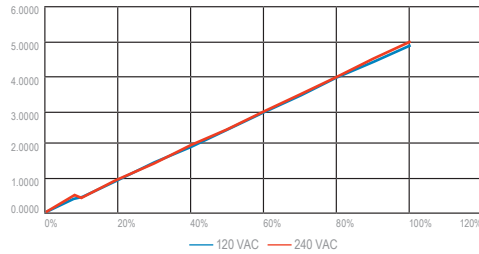
Dimming chart (Voltage dimming)



Dimming chart (PWM dimming)



Dimming chart (Resistor dimming)



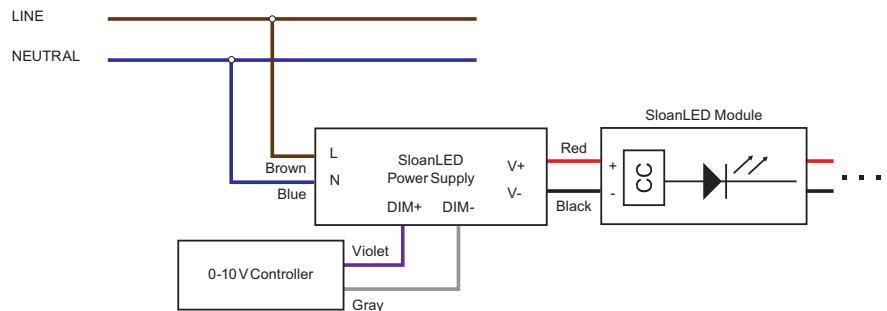
## Wire Gauge Distance Chart for Power Limited Tray Cable (PLTC)

When the distance increases between the secondary side of the power supply and the first LED in a letter or the beginning of a tubing run, the gauge or wire needed will change as follows:

| Distance from power supply | Wire gauge |
|----------------------------|------------|
| 0 to 15 ft                 | 18         |
| 15 to 50 ft                | 14         |
| 50 to 100 ft               | 12         |
| 100 to 150 ft              | 10         |

Power supply output..... 12"  
lead length

## Wiring Diagram



principalsloan.com  
325.227.4577  
3490 Venture Dr., San Angelo, TX 76905