

HanleyLED

EM 60 W, 24 VDC POWER SUPPLY

Specifications

SKU.....H60W-PPSEM24V
Warranty.....5-year product/1 or 2-year limited labor*

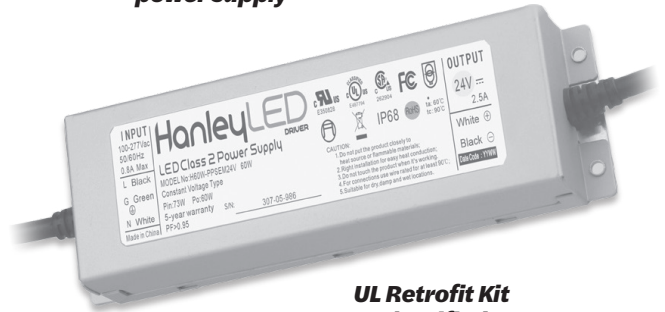
Performance

Input voltage.....90~305 VAC
Input current.....0.65/115 VAC | 0.3/277VAC
Input frequency.....47~63 Hz
Efficiency.....≥ 86% (230 VAC)
Power factor.....≥ .95(230 VAC)
Power input.....0.8 A max.
Output voltage.....DC 24V ±5%
Output current.....2.5 A*1 CHANNEL
Output power.....60 W
Output ripple & noise.....≤240 mV

Safety

Protective characteristics.....Over-current/short-circuit/
over-voltage/over-temperature
Safety rating.....IP68, Class 2
Dielectric Strength (Hi-Pot)I/P-O/P 3.75KVac/10mA/3S
I/P-Case 1.8KVac/10mA/3S
Insulation Resistance.....100MOhm Max/500Vdc/3S
Grounding Resistance.....100mOhm
EMC.....FCC part 15 class B

**High performance premium
power supply**



**UL Retrofit Kit
Classified**

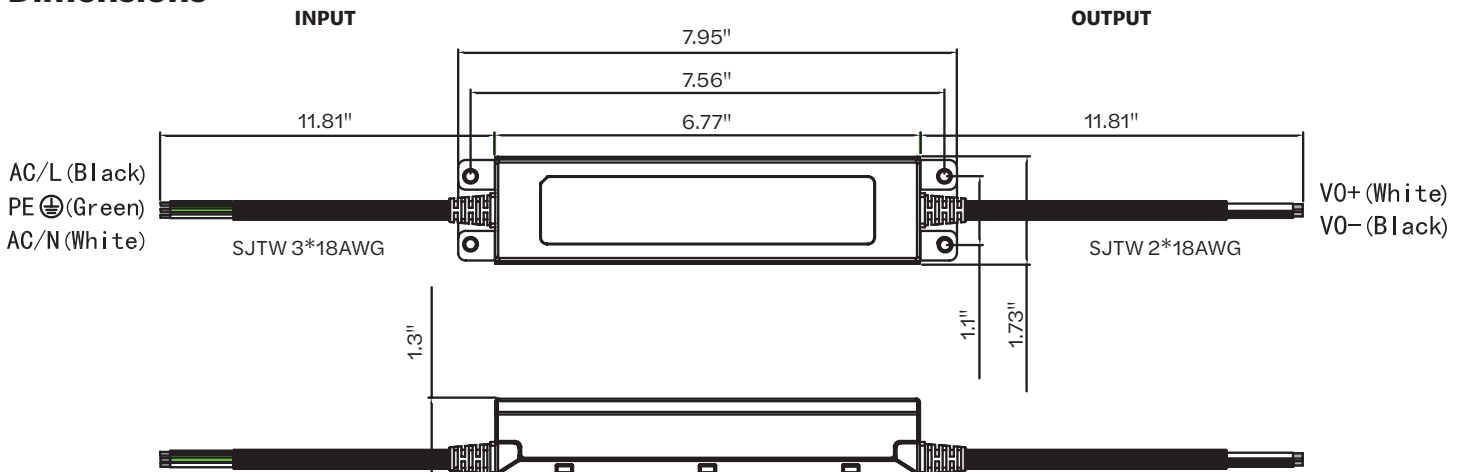
Environmental

Operating temperature.....-40°~+60° C
Storage temperature.....-40°~+80° C
Relative humidity.....20~95% RH, non-cond.
Vibration.....10 ~ 500HZ, 5G, 30 minutes
(for X, Y, Z each axis)



* 2-years limited labor if paired with HanleyLEDs.
1-year limited labor with any other qualified LEDs.

Dimensions



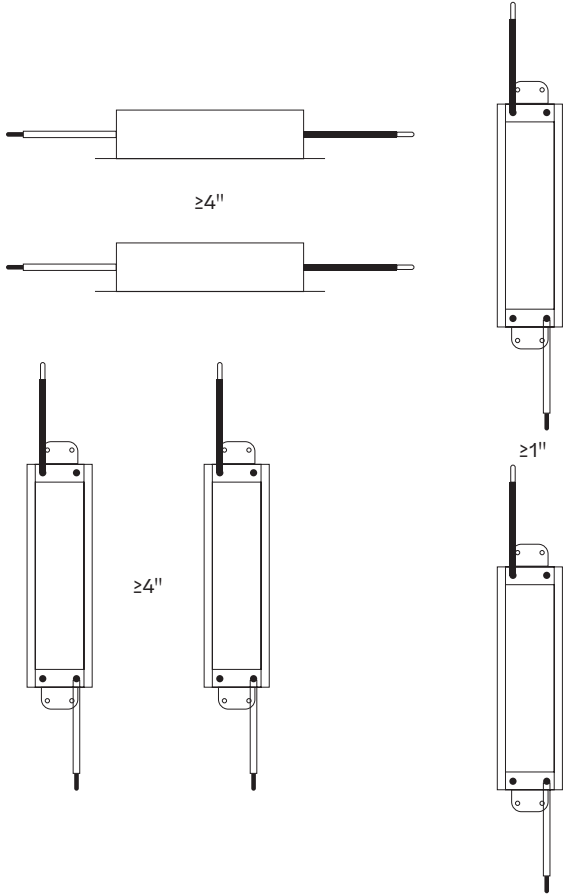
Specifications subject to change without notice.



HanleyLED

EM 60 W, 24 VDC POWER SUPPLY

Spacing Between Power Supplies



- Ensure that the ground wire is properly grounded and ensure it does not come into contact with the neutral wire.
- Ensure the power supply position has sufficient airflow.
- Operating temperature must be between -40° C to +60° C.
- Do not overload the power supply with multiple appliances.
- Power supply operates at high temperature.
To avoid injury, do not touch while in use.
- Do not install with power connected or during an electrical disturbance.
- Do not attempt to install by yourself.
Please contact the supplier with any questions.
- Please read and follow the instructions carefully before installing.
Ensure all contact points are in good working order.
- Please pay attention to the environment, and check for any unsafe conditions.

UL 48 Standard requires spacing between LED power supplies shall be at least 1 inch from end to end and 4 inches from side to side. This is to ensure adequate heat dissipation. Greater spacing may be required when heat ventilation in the sign or power supply enclosure is not adequate.

Recommended drivers per enclosure:

- 60 W = 2 max
- 100 W = 1 max
- 96 W = 1 max
- 120 W = 1 max
- 150 W = 1 max
- 180 W = 1 max
- 192 W = 1 max
- 240 W = 1 max

principalsloan.com
325.227.4577
3490 Venture Dr., San Angelo, TX 76905