

# ENERGIZER POWER SUPPLIES



## 12VDC Specifications



### Overview

SKU	P-OH020-12-EC	P-OH060-12-EC	P-OH060-12-EC-T	P-OH120-12-EC
Warranty	10-year product/ 5-year limited labor	10-year product/ 5-year limited labor	10-year product/ 5-year limited labor	10-year product/ 5-year limited labor
UL	UL879 / UL8750	UL879 / UL8750	UL879 / UL8750	UL879 / UL8750
CE-LVD	EN61347-1, EN61347-2-13	EN61347-1, EN61347-2-13	EN61347-1, EN61347-2-13	EN61347-1, EN61347-2-13

### Performance

Input voltage	100~277 VAC	100~277 VAC	100~277 VAC	100~277 VAC
Input frequency	47~63 Hz	47~63 Hz	47~63 Hz	47~63 Hz
Input current	Max 0.5 A	Max 1.35 A	1.33 A/100 VAC, 0.65 A/230 VAC	Max 2.69 A
Power factor	≥ 0.5	≥ 0.5	≥ 0.5	≥ 0.5
Output voltage	DC 12V ±4%	DC 12V ±4%	DC 12V ±4%	DC 12V ±4%
Output current	0-1.67 A	0-5.00 A	0-5.00 A	0-5.00 A (per channel)
Output power	20W	60W	60W, threaded	120W

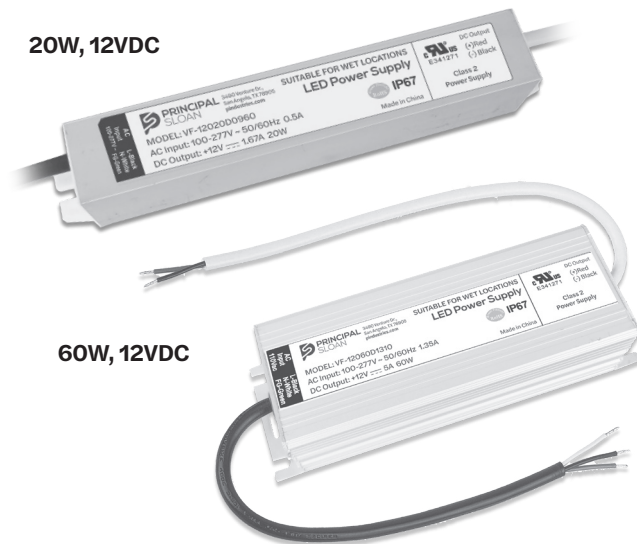
### Safety & Protection

Over current protection	102-145%	102-130%	102-130%	105-150%
Short circuit protection	Hiccup mode, auto-recover	Hiccup mode, auto-recover	Hiccup mode, auto-recover	Hiccup mode, auto-recover
Other protection	Over-voltage/over-load/ short circuit	Over-voltage/over-load/ short circuit	Over-voltage/over-load/ short circuit	Over-voltage/over-load/ short circuit
IP rating	IP67	IP67	IP67	IP67

### Environmental

UL environment suitability	Damp and dry	Damp and dry	Damp and dry	Damp and dry
Operating temperature	-25°~+50° C	-25°~+50° C	-25°~+50° C	-25°~+50° C
Storage temperature	-25°~+75° C	-25°~+75° C	-25°~+75° C	-25°~+75° C
Relative humidity	5~90% RH, non-cond.	10~90% RH, non-cond.	10~90% RH, non-cond.	10~90% RH, non-cond.

20W, 12VDC



60W Threaded, 12VDC



120W, 12VDC



Specifications subject to change without notice.

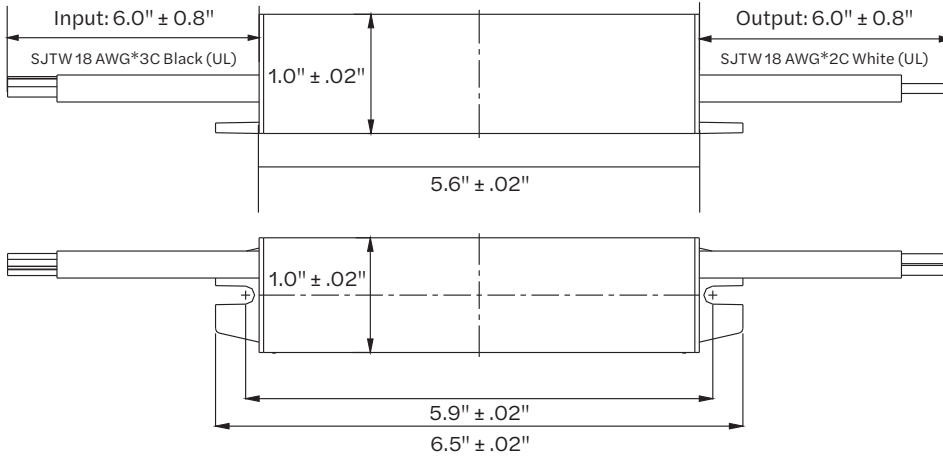


# ENERGIZER POWER SUPPLIES

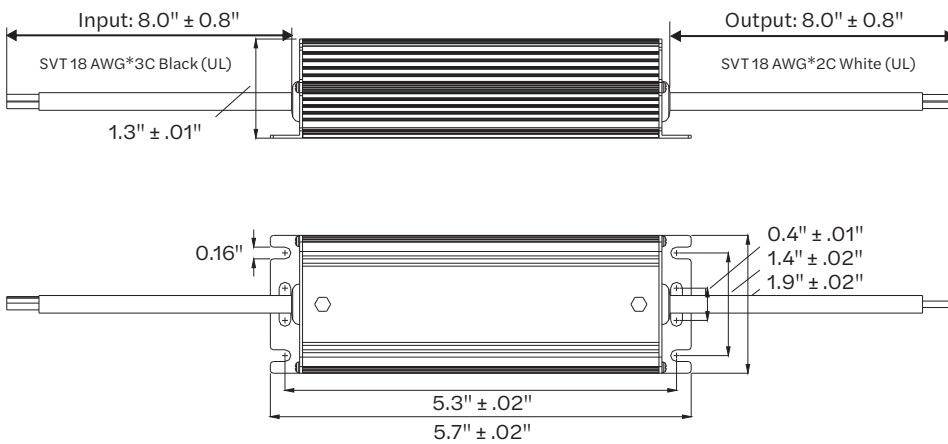


## 12VDC Dimensions

20W, 12VDC – P-OH020-12-EC



60W, 12VDC – P-OH060-12-EC

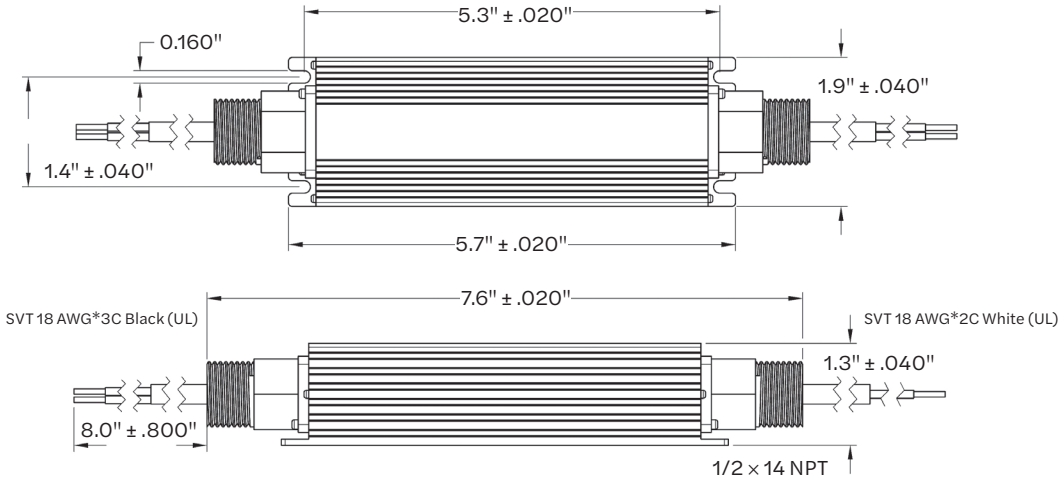


# ENERGIZER POWER SUPPLIES

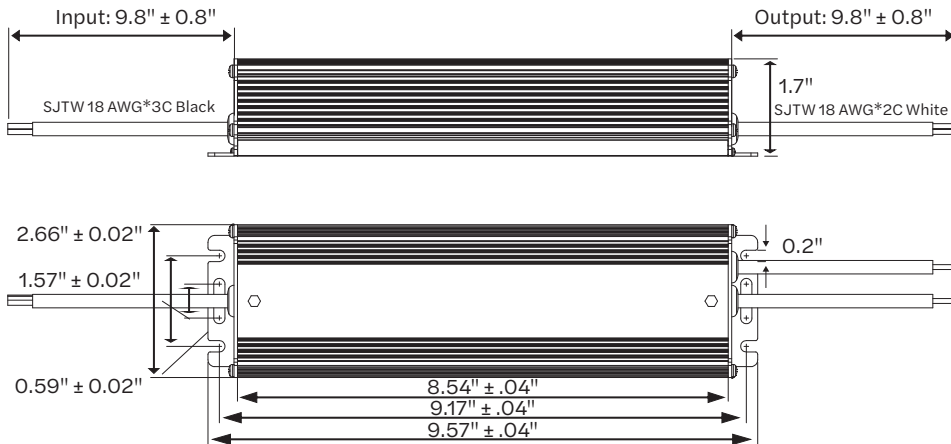


## 12VDC Dimensions

### 60W Threaded, 12VDC – P-OH060-12-EC-T



### 120W, 12VDC– P-OH120-12-EC



# ENERGIZER POWER SUPPLIES



## 24VDC Specifications



### Overview

SKU	P-OH020-24-EC	P-OH060-24-EC	P-OH0100-24-EC	P-OH0100-24-EC-T
Warranty	10-year product/ 5-year limited labor	10-year product/ 5-year limited labor	10-year product/ 5-year limited labor	10-year product/ 5-year limited labor
UL	UL879 / UL8750	UL879 / UL8750	UL879 / UL8750	UL879 / UL8750
CE-LVD	EN61347-1, EN61347-2-13	EN61347-1, EN61347-2-13	EN61347-1, EN61347-2-13	EN61347-1, EN61347-2-13

### Performance

Input voltage	100~277 VAC	100~277 VAC	100~277 VAC	100~277 VAC
Input frequency	47~63 Hz	47~63 Hz	47~63 Hz	47~63 Hz
Input current	Max 0.5 A	Max 1.35 A	Max 2.50 A	Max 2.50 A
Power factor	≥ 0.5	≥ 0.5	≥ 0.5	≥ 0.5
Output voltage	DC 24V ±2%	DC 24V ±2%	DC 24V ±2%	DC 24V ±2%
Output current	0-0.833 A	0-2.5 A	0-4.0 A	0-4.0 A
Max. Output power	20W	60W	100W	100W, threaded

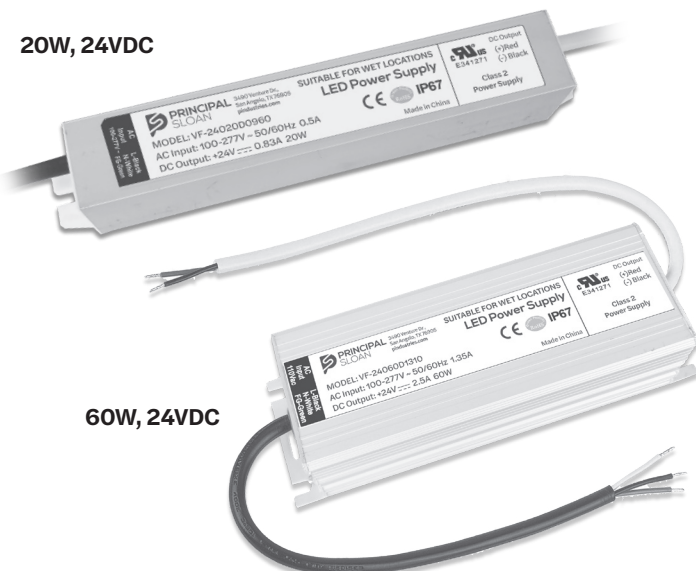
### Safety & Protection

Over current protection	102-145%	102-130%	102-125%	102-125%
Short circuit protection	Hiccup mode, auto-recover	Hiccup mode, auto-recover	Hiccup mode, auto-recover	Hiccup mode, auto-recover
Other protection	Over-voltage/over-load/ short circuit	Over-voltage/over-load/ short circuit	Over-voltage/over-load/ short circuit	Over-voltage/over-load/ short circuit
IP rating	IP67	IP67	IP67	IP67

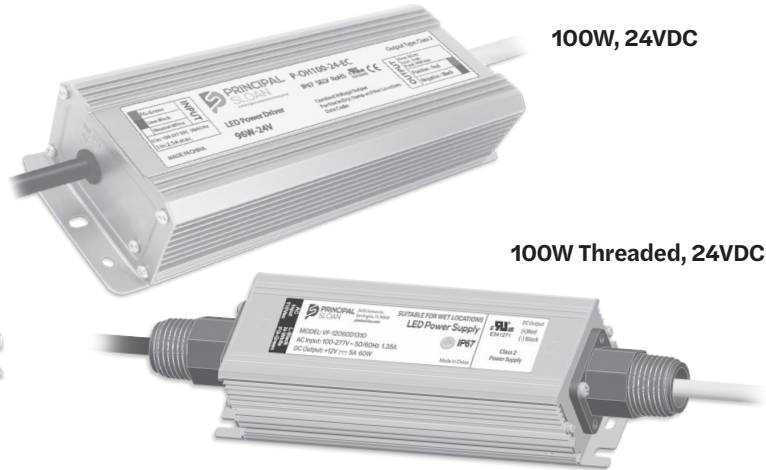
### Environmental

UL environment suitability	Damp and dry	Damp and dry	Damp and dry	Damp and dry
Operating temperature	-25°~+50° C	-25°~+50° C	-25°~+50° C	-25°~+50° C
Storage temperature	-25°~+75° C	-25°~+75° C	-25°~+75° C	-25°~+75° C
Relative humidity	5~90% RH, non-cond.	5~90% RH, non-cond.	10~90% RH, non-cond.	10~90% RH, non-cond.

20W, 24VDC



60W, 24VDC



100W, 24VDC

100W Threaded, 24VDC

Specifications subject to change without notice.

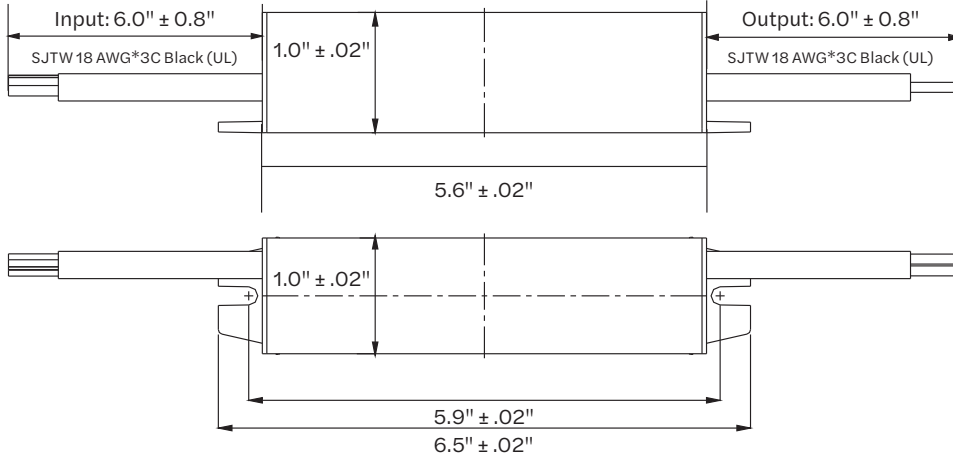


# ENERGIZER POWER SUPPLIES

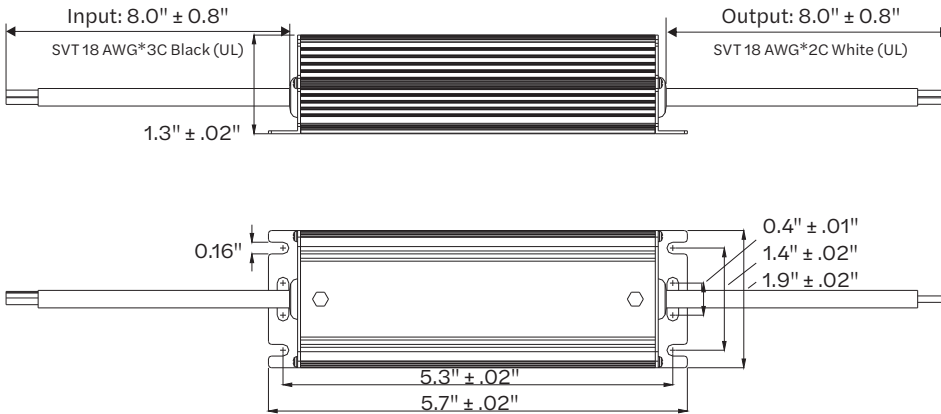


## 24VDC Dimensions

20W, 24VDC – P-OH020-24-EC



60W, 24VDC – P-OH060-24-EC

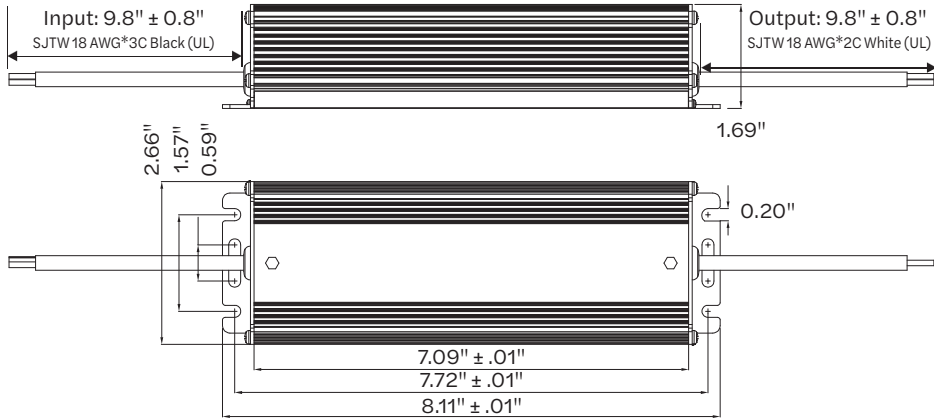


# ENERGIZER POWER SUPPLIES

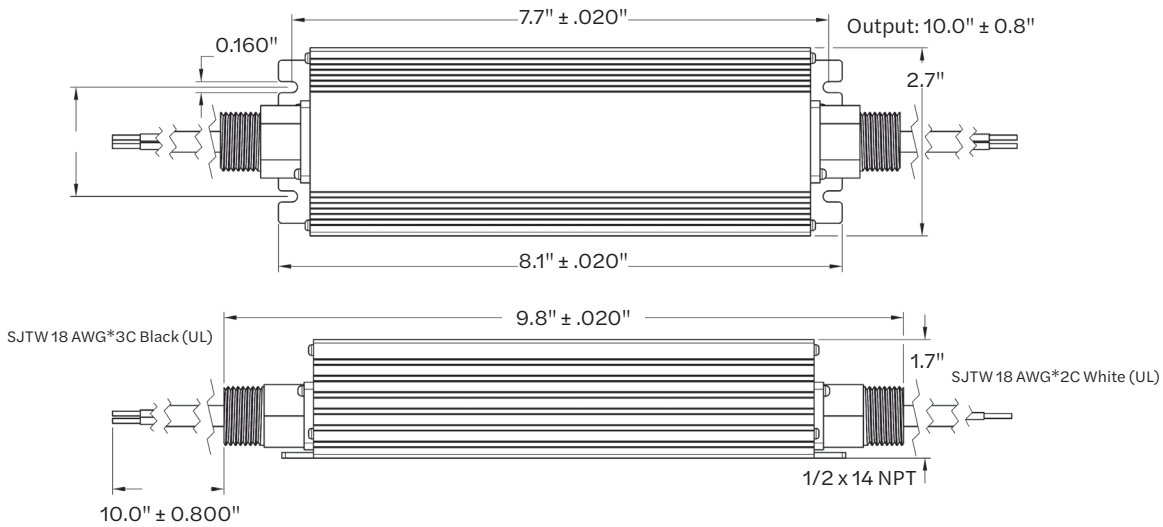


## 24VDC Dimensions

100W, 24VDC – P-OH0100-24-EC



100W Threaded, 24VDC – P-OH0100-24-EC-T



principalsloan.com  
325.227.4577  
3490 Venture Dr., San Angelo, TX 76905

