

FlexiBRITE²⁴

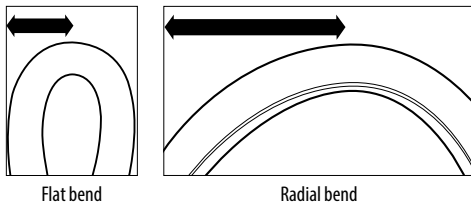
Flexible LED tubing

Specifications

Part number*	Ruby Red (5-ft)	701499E-R-5
	Ruby Red (20-ft)	701499E-R-20
	Citrus Orange (5-ft)	701499E-O-5 [†]
	Citrus Orange (20-ft)	701499E-O-20 [†]
	Noviol Gold (5-ft)	701499E-Y-5 [†]
	Noviol Gold (20-ft)	701499E-Y-20 [†]
	Emerald Green (5-ft)	701499E-G-5
	Emerald Green (20-ft)	701499E-G-20
	Bromo Blue (5-ft)	701499E-B-5
	Bromo Blue (20-ft)	701499E-B-20
	Snow White (5-ft)	701499E-W-5
	Snow White (20-ft)	701499E-W-20

Dimensions	Width	0.60 in	
	Height	1.01 in	
	Lengths	5-ft:	59.06 in
		20-ft:	236.22 in

In-field bends	Radial bend	12.0 in
	Flat bend	1.0 in



Cut increments 2.0 in

Colors* Ruby Red, Citrus Orange[†], Noviol Gold[†], Emerald Green, Bromo Blue

Operating temperature -40° C to +70° C

Protection class IP66

Special feature Hook-up wires every 12.0"

Mounting Mounting Clips 402888-25 (Box of 25)
Mounting Track 402889-10 (Box of 10)

Packaging **5-ft:** 1 assembly per carton, 32 cartons per case
20-ft: 1 assembly per carton, 8 cartons per case

* See "Unlit product color chart" for Pantone color equivalents.

† Availability limited: Call to confirm.



FlexiBRITE is covered by US and foreign patents pending and covered by the following US patents issued: 6,776,504 and 7,213,941 and European Patent No. 1756471



Accessories

Accessories not included with FlexiBRITE²⁴, must be ordered separately.

Description	Part number	Quantity
Endcaps, Snow White (inserts included)	402884-10	Bag of 10
Endcaps, Ruby Red (inserts not needed)	402884-R-10	Bag of 10
Endcaps, Citrus Orange (inserts not needed)	402884-O-10	Bag of 10
Endcaps, Noviol Gold (inserts not needed)	402884-Y-10	Bag of 10
Endcaps, Emerald Green (inserts not needed)	402884-G-10	Bag of 10
Endcaps, Bromo Blue (inserts not needed)	402884-B-10	Bag of 10



Mounting Clips

402888-25
Bag of 25



Mounting Track

402889-10
Bag of 10

Unlit product color chart

Ruby Red PANTONE 1788 C	Citrus Orange PANTONE 172 C	Noviol Gold PANTONE 115 C
Emerald Green PANTONE 339 C	Bromo Blue PANTONE 3005 C	

Power Supply Capacity

24 VDC Power supply [†]	All colors
	Maximum feet
60 W Power Supply	19.7
100 W Power Supply	32.8
Power used per foot in watts	2.7

† Configured for Class 2 Output.

NOTE: When mixing modules of different sizes/colors or various products on the same power supply, simply add all the power requirements for the respective lengths of each product. Then choose appropriate power supplies to provide adequate power output. The actual number of power supplies needed may vary based on how the materials are distributed across the project.



SloanLED[®]
A Principal Industries Company

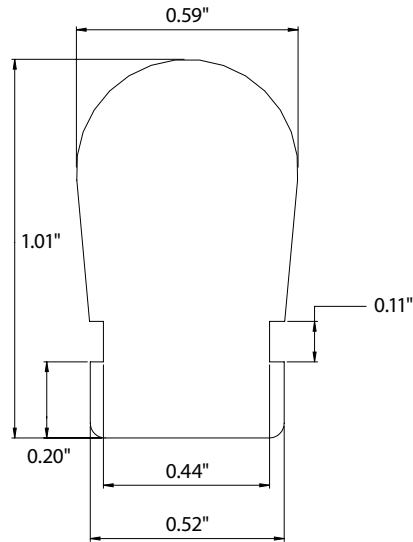
FlexiBRITE²⁴

Flexible LED tubing

Transition Guide

12 VDC Part number	Length	Color	24 VDC Part number	Length
701499-R-2	2-ft	Ruby Red	701499E-R-5	5-ft
701499-R-10	10-ft		701499E-R-20	20-ft
701499C-O-2	2-ft	Citrus Orange	701499E-O-5 [†]	5-ft
701499C-O-10	10-ft		701499E-O-20 [†]	20-ft
701499C-Y-2	2-ft	Noviol Gold	701499E-Y-5	5-ft
701499C-Y-10	10-ft		701499E-Y-20	20-ft
701499D-G-2	2-ft	Emerald Green	701499E-G-5	5-ft
701499D-G-10	10-ft		701499E-G-20	20-ft
701499D-B-2	2-ft	Bromo Blue	701499E-B-5	5-ft
701499D-B-10	10-ft		701499E-B-20	20-ft
701499D-W-2	2-ft	Snow White	701499E-W-5	5-ft
701499D-W-10	10-ft		701499E-W-20	20-ft

Dimensions



SloanLED Headquarters
 5725 Olivas Park Drive, Ventura, CA, USA
 805.676.3200 • info@SloanLED.com

SloanLED Europe b.v.
 Argonstraat 110, 2718 SN Zoetermeer, NL
 +31 88 12 44 900 • europe@SloanLED.com



SloanLED.com

© 2023 SloanLED Rev A 2023-01-26

Specifications subject to change without notice.

 **SloanLED**[®]
 A Principal Industries Company