

HanleyLED

HP 60 W, 12 VDC POWER SUPPLY

Specifications

SKU H60W-PPS5
Warranty 7-year product/1 or 5-year limited labor*

Performance

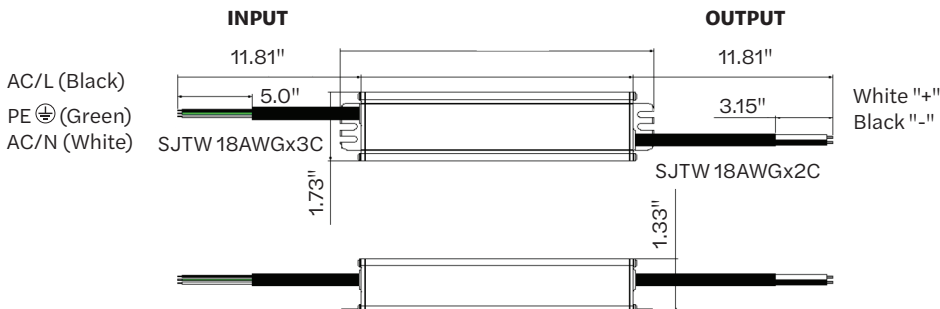
Input voltage 100~277 VAC
Input current 0.65A/115 VAC | 0.3A/277VAC
Input frequency 50~60 Hz
Efficiency ≥ 86%
Power factor ≥ 0.95
Power input 0.8 A max.
Output voltage DC 12V ±2.5%
Output current 5 A
Output power 60 W
Output ripple & noise ≤150mV

Safety

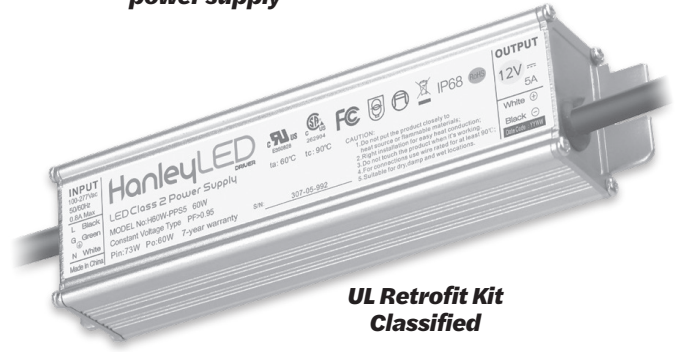
Protective characteristics Over-current/short-circuit/
over-voltage/over-temperature
Safety rating IP68, Class 2
Dielectric Strength (Hi-Pot) I/P-O/P 3.75KVac/10mA/3S
I/P-Case 1.8KVac/10mA/3S
Insulation Resistance 100MOhm Max/500Vdc/3S
Grounding Resistance 100mOhm
EMC FCC part 15 class B EN55015

* 5-years limited labor if paired with HanleyLEDs.
1-year limited labor with any other qualified LEDs.

Dimensions



**High performance premium
power supply**



Environmental

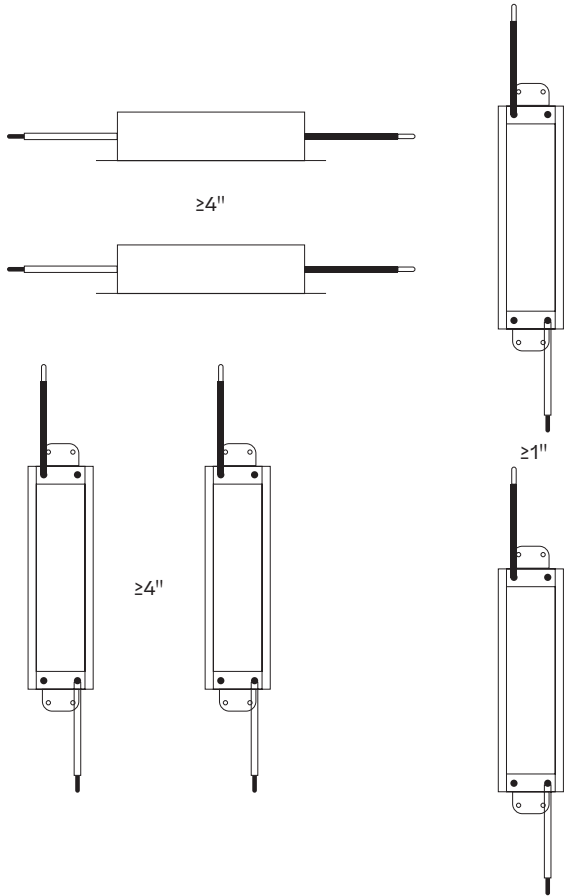
Operating temperature -40°~+60° C
Storage temperature -40°~+80° C
Relative humidity 10~95% RH, non-cond.
Vibration 10 ~ 500HZ, 5G, 30 minutes
(for X, Y, Z each axis)



HanleyLED

HP 60 W, 12 VDC POWER SUPPLY

Spacing Between Power Supplies



- Ensure that the ground wire is properly grounded and ensure it does not come into contact with the neutral wire.
- Ensure the power supply position has sufficient airflow.
- Operating temperature must be between -40° C to +60° C.
- Do not overload the power supply with multiple appliances.
- Power supply operates at high temperature.
To avoid injury, do not touch while in use.
- Do not install with power connected or during an electrical disturbance.
- Do not attempt to install by yourself.
Please contact the supplier with any questions.
- Please read and follow the instructions carefully before installing.
Ensure all contact points are in good working order.
- Please pay attention to the environment, and check for any unsafe conditions.

UL 48 Standard requires spacing between LED power supplies shall be at least 1 inch from end to end and 4 inches from side to side. This is to ensure adequate heat dissipation. Greater spacing may be required when heat ventilation in the sign or power supply enclosure is not adequate.

Recommended drivers per enclosure:

- 60 W = 2 max
- 100 W = 1 max
- 96 W = 1 max
- 120 W = 1 max
- 150 W = 1 max
- 180 W = 1 max
- 192 W = 1 max
- 240 W = 1 max

principal Sloan.com
325.227.4577
3490 Venture Dr., San Angelo, TX 76905

© 2024 Principal Industries Rev A 2024-01-11

Specifications subject to change without notice.

 **PRINCIPAL
SLOAN** We Speak
Sign Language