

HanleyLED

# NRG STREAMLINER

LED lighting solution for retrofit light box applications



## Specifications

Dimensions L x W x H ..... Single-sided..... See table x 0.73" x 0.63"  
 Double-sided... See table x 0.73" x 1.01"

Beam angle ..... 2\*170°

Mounting options ..... Socket (retro)

Color temperature..... 6500 K

Efficacy..... 150 lm/W

Socket type ..... R17d

Warranty ..... 7-Year Product / 5-Year Limited Labor



**No power supply needed,  
powered by socket!**



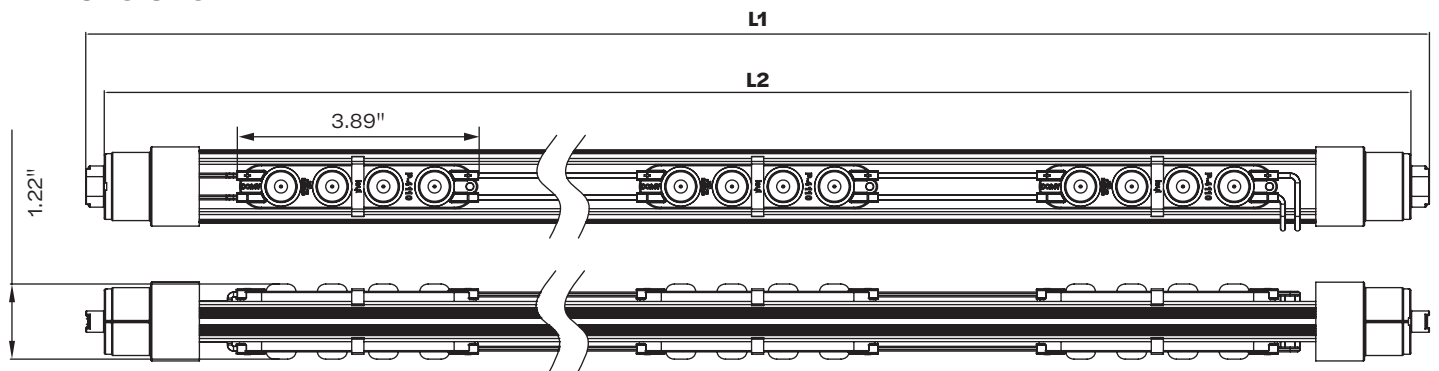
## Product Options

Length	Nominal length	No. of mods	Lumens per Stik	LED lamp cross reference	Power	Max input (Amps)	SKU	Tubes per box	Tubes per case
36"	33.1"	10	2400	F36HO	16	.14	HPEB-SL2S36	1	50
42"	39.1"	10	2700	F42HO	18	.16	HPEB-SL2S42		
48"	45.0"	12	3150	F48HO	21	.18	HPEB-SL2S48		
60"	57.0"	14	3900	F60HO	26	.22	HPEB-SL2S60		
64"	61.1"	16	4200	F64HO	28	.24	HPEB-SL2S64		
72"	69.0"	18	4650	F72HO	31	.26	HPEB-SL2S72		
84"	81.0"	20	5550	F84HO	37	.32	HPEB-SL2S84		
96"	93.0"	22	6300	F96HO	42	.36	HPEB-SL2S96		
108"	105.0"	26	7050	F108HO	47	.40	HPEB-SL2S108		
117"	114.0"	30	7500	F117HO	50	.42	HPEB-SL2S117		
120"	117.0"	34	7800	F120HO	52	.44	HPEB-SL2S120	25	

## Layout Guidelines

Double-sided light box depth	Average space between tubes
6-8"	9"
9-11"	12"
12-15"	15"
16-19"	20"
20-30"	22"

## Dimensions



principalsloan.com  
 325.227.4577  
 3490 Venture Dr., San Angelo, TX 76905

