

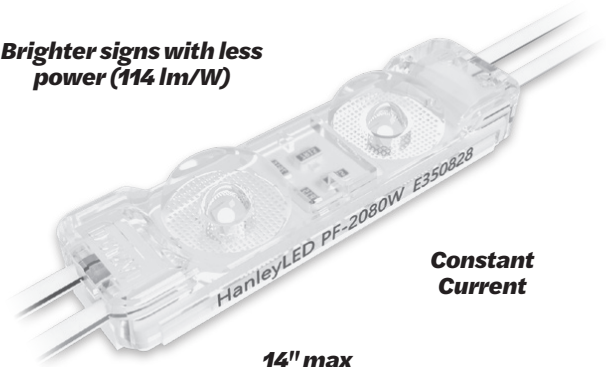
HanleyLED
PHOENIX 2 **12 VDC**
 12V LED channel letter and sign cabinet illumination



Specifications

- Beam angle 170° Phoenix wing optics
- Power (W)..... 0.8 W/mod (1.39 W/ft)
- Efficacy 114 lm/W
- Modules/ft 1.74/ft (fully-stretched)
- Environment IP68
- Operating temp. -40° C to +60° C
- Storage temp. -40° C to +70° C
- Cascade 60 mods single-ended power feed
 120 mods double-ended power feed
- Packaging Anti-static bag, 120 modules (69 ft)/bag
- Warranty 10-Year Product/5-Year Limited Labor

Brighter signs with less power (114 lm/W)



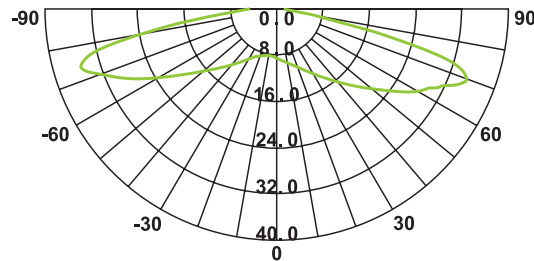
Constant Current

14" max stroke

Product Options

SKU	CCT/Color	Lumens
HLED-PF2080W	7000 K	91 lm/mod (158 lm/ft)
HLED-PF2080R	Red (620-625 nm)	20 lm/mod (34 lm/ft)
HLED-PF2080-OR	Orange (600-610 nm)	16 lm/mod (27 lm/ft)
HLED-PF2080Y	Amber (590-595 nm)	12 lm/mod (20.9 lm/ft)
HLED-PF2080B	Blue (460-470 nm)	8 lm/mod (13.9 lm/ft)
HLED-PF2080G	Green (520-530 nm)	44 lm/mod (76.5 lm/ft)

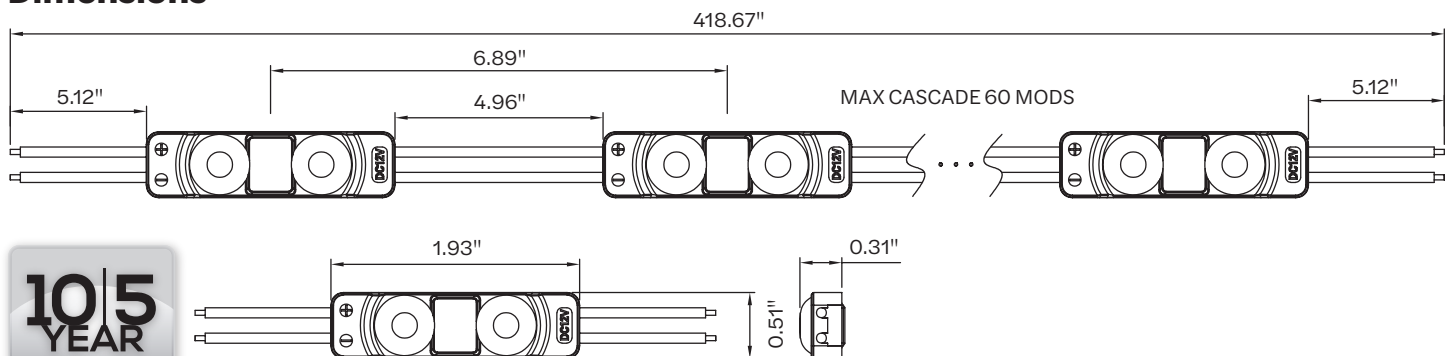
Light Distribution



Power Supply Options

Product	35 W	60 W	100 W	120 W	150 W	180 W	240 W
Phoenix 2	43 mods	75 mods	124 mods	150 mods	186 mods	225 mods	300 mods

Dimensions



principalsloan.com
 325.227.4577
 3490 Venture Dr., San Angelo, TX 76905

