

RGBW REMOTE & CONTROLLER

Installation Guide

Controller

IMPORTANT: Read all instructions prior to installation.

Operation

One RF remote can be paired with a maximum of 8 RF controllers. Wire according to connection diagram.

Pair RF Controller with RF Remote:

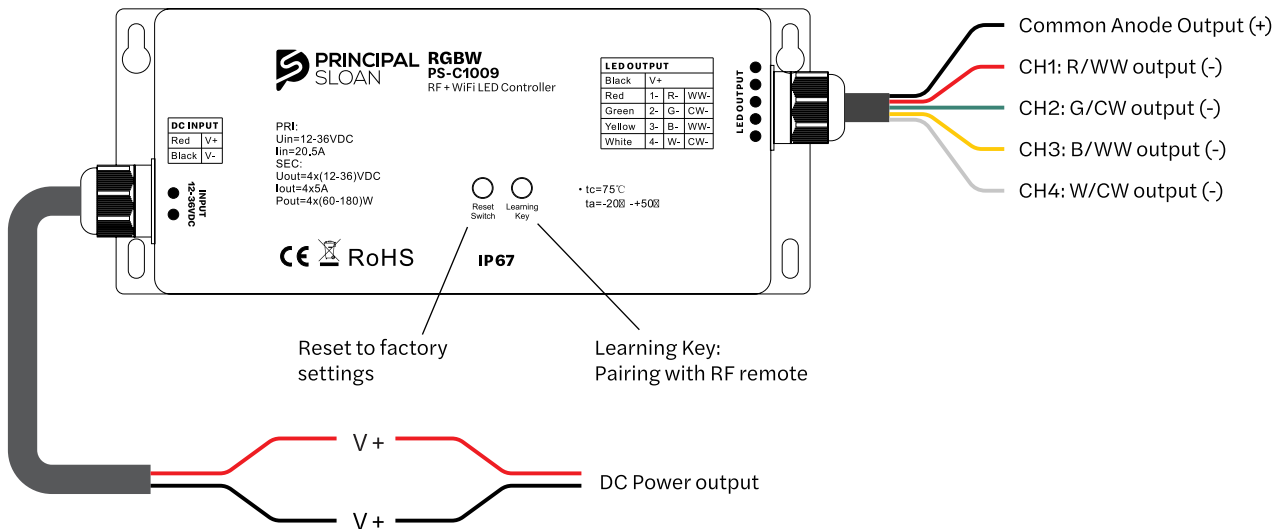
1. Connect and wire up RF Controller correctly and power **ON**.
2. Turn on remote, click “**Learning Key**” button on Controller and select a zone number to pair Controller to specified zone (if using single-zone remote, this step is unnecessary). Touch color wheel or slider bar on remote (if remote does not have color wheel or slider bar, click or touch any keys). Connected LED light on Controller flickers twice.

NOTE: One Controller can be paired with a maximum of eight (8) remote controls.

Delete Pairing:

1. Wire up RF Controller correctly and power **ON**.
2. Hold down “**Learning Key**” button on Controller for over three (3) seconds until connected LED light on Controller flickers twice.

Function Introduction



Safety & Warnings:

- DO NOT install with power applied to device
- This device is IP67-rated and suitable for damp environments

Product Data:

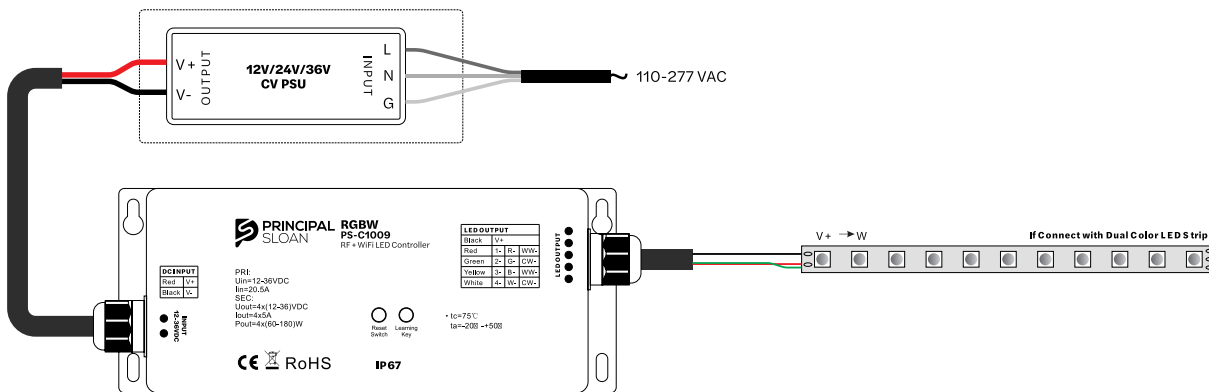
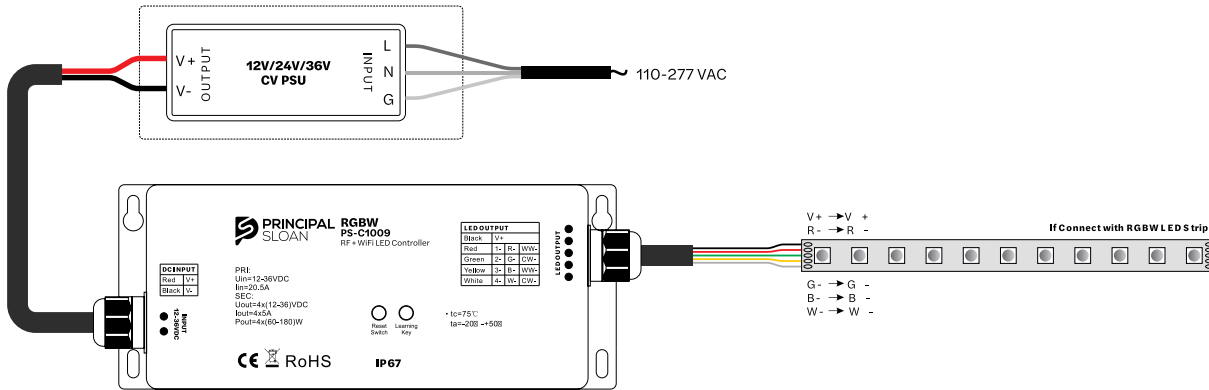
No.	Input voltage	Output current	Output power	Remarks	Dimensions (L x W x H)
1	12-36 VDC	4 x 5 A	4 x (60-180)W	Constant voltage	7.11" x 2.90" x 1.50"
2		4 x 350 mA	4 x (4.2-12.6)W	Constant current	
3		4 x 700 mA	4 x (8.4-25.2)W		

RGBW REMOTE & CONTROLLER

Installation Guide

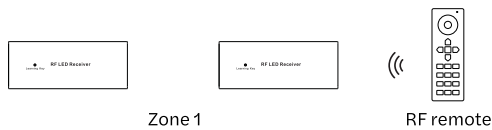
Controller

Wiring Diagram



If using multiple Controllers, two (2) options are available:

Option 1: Have all Controllers in same zone



Option 2: Have each Controller in a different zone

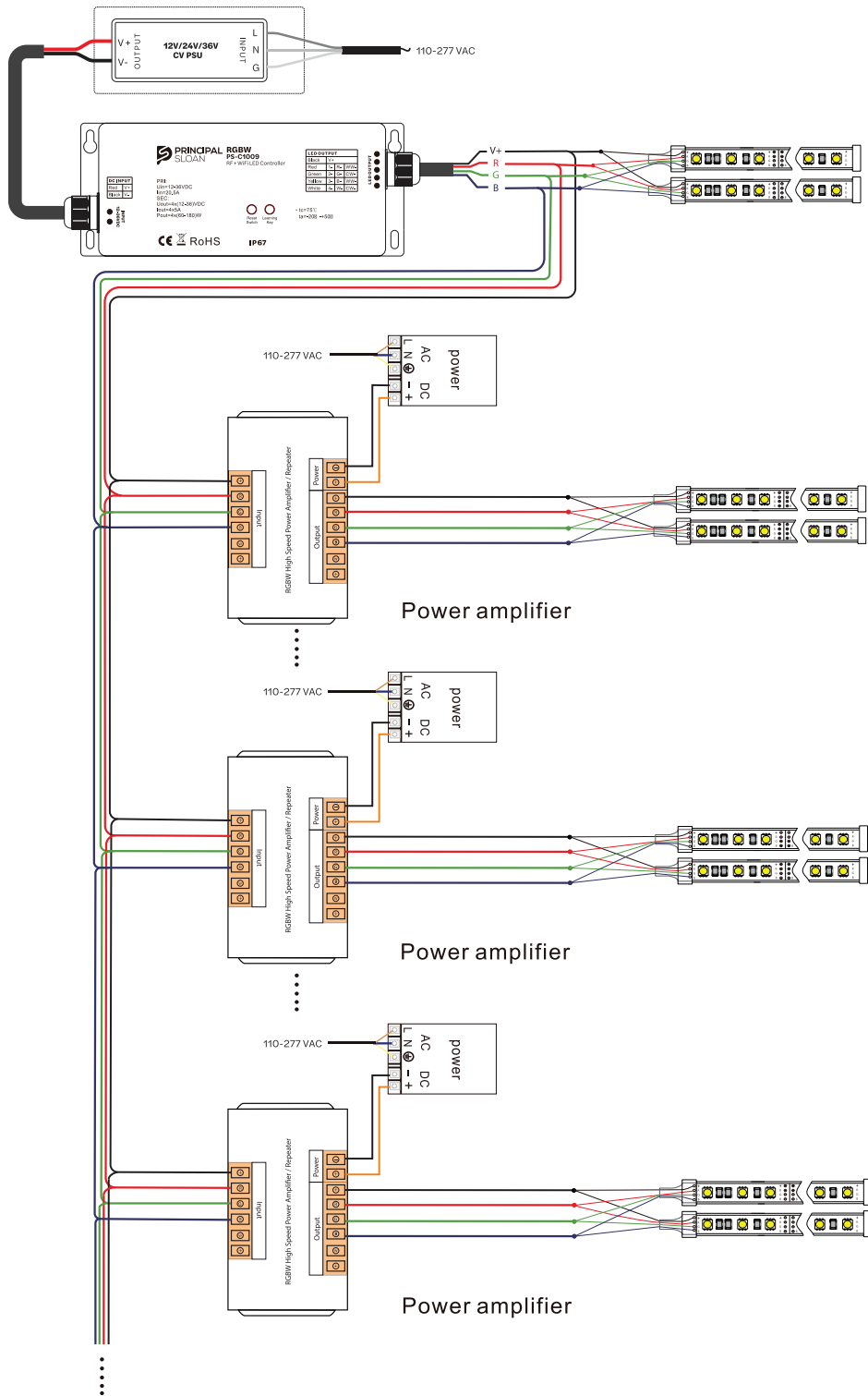


RGBW REMOTE & CONTROLLER

Installation Guide

Controller

Wiring Diagram



RGBW REMOTE & CONTROLLER

Installation Guide

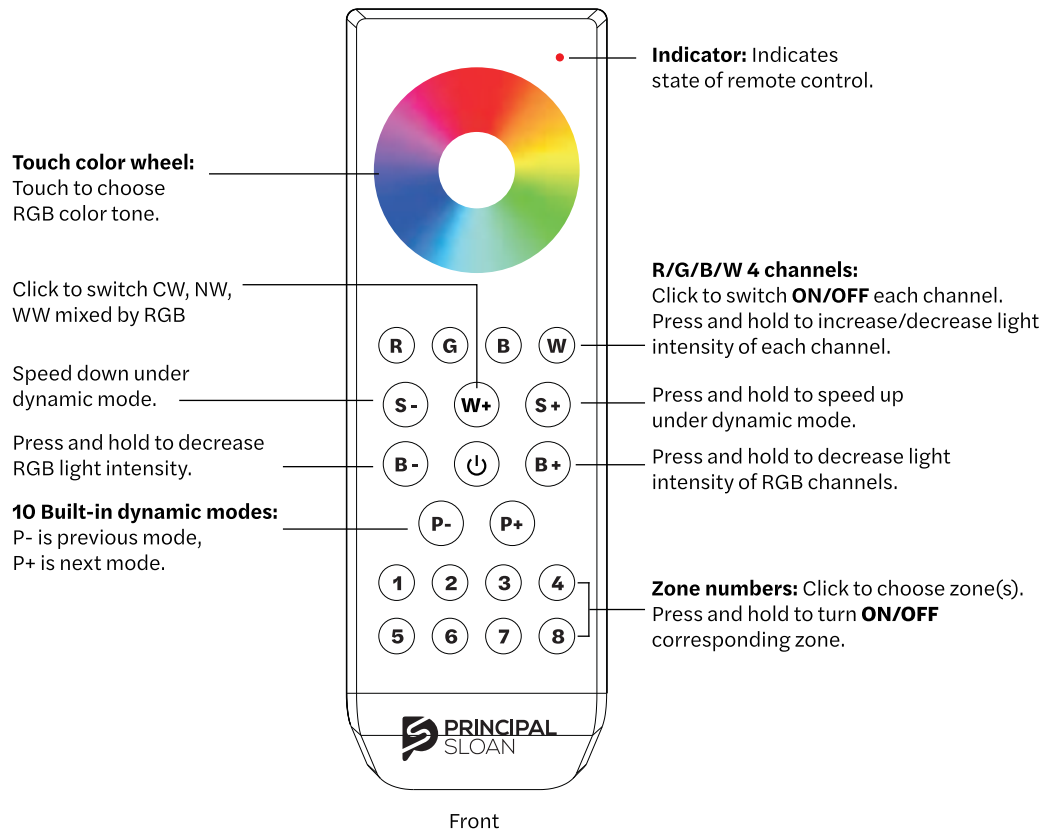
Remote Control

IMPORTANT: Read all instructions prior to installation.

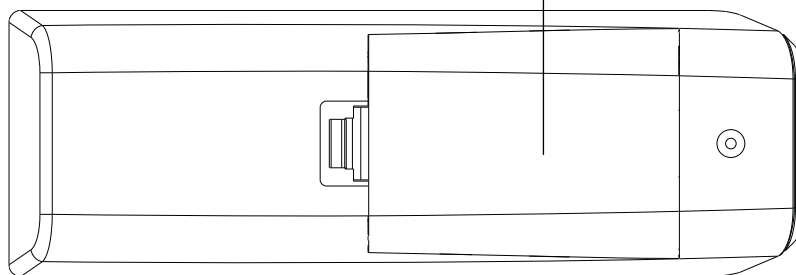
Function Introduction

Safety & Warnings:

- Device contains AAA batteries (not included) that shall be stored and disposed of properly
- DO NOT expose device to moisture



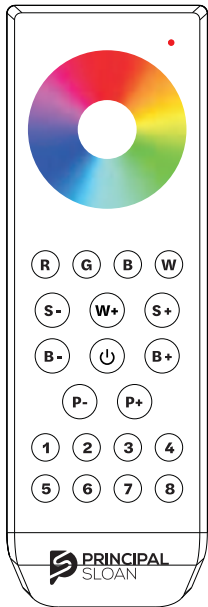
4.5 V (3x AAA) battery (not included)



RGBW REMOTE & CONTROLLER

Installation Guide

Pair with RF Controller (Method 1)



Step 1: Wire RF Controller according to wiring diagram (refer to instructions of RF Controller you would like to pair with).

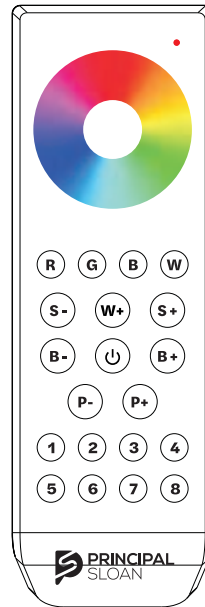
Step 2: Click **ON/OFF** button to activate remote.



Step 3: Click “**Learning Key**” button on RF Controller or re-power on Controller three (3) times continuously to set into pairing status.

Step 4: Choose and click a zone number (e.g. zone 6).

Pair with RF Controller (Method 2)



Step 1: Wire RF Controller according to wiring diagram (refer to instructions of RF Controller you would like to pair with).

Step 2: Click **ON/OFF** button to activate remote.

Step 3: Power OFF and power ON Controller.

Step 4: Choose and click a zone number (e.g. zone 3) twice, then press and hold continuously for 10 seconds, LED lights connected with RF Controller flicker once meaning Controller is paired with zone 3 successfully.

If using multiple Controllers, two (2) options are available:

Option 1: Have all Controllers in same zone



Option 2: Have each Controller in a different zone



RGBW REMOTE & CONTROLLER

Installation Guide

Built-in color changing modes:

Mode 1: Any two (2) colors of RGB mix fade-in and fade-out.

Mode 2: RGB three (3) colors mix fade-in and fade-out.

Mode 3: RGB three (3) colors mix fade-in and fade-out.

Mode 4: RGB flash.

Mode 5: RGB three (3) colors fade-in and fade-out successively.

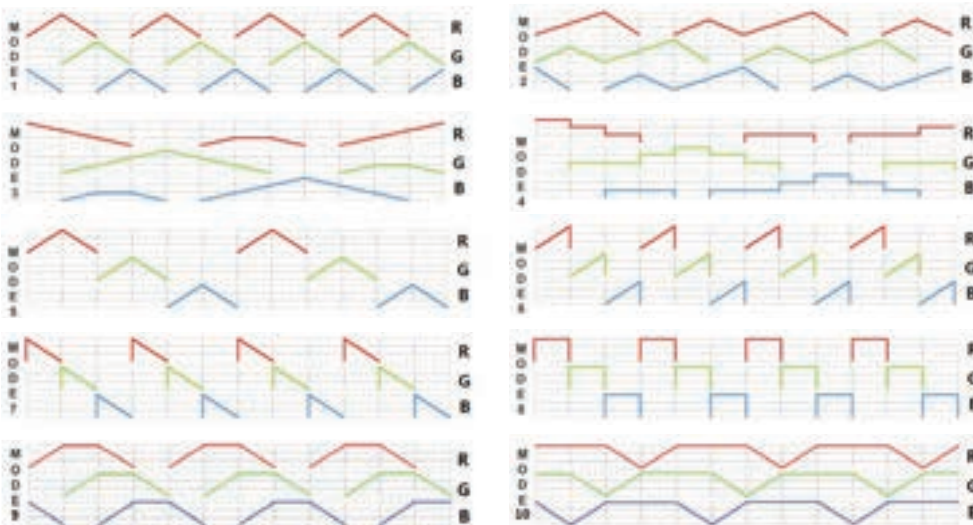
Mode 6: RGB three (3) colors fade-in successively.

Mode 7: RGB three (3) colors fade-out successively.

Mode 8: RGB three (3) colors jump changing successively.

Mode 9: R&B two (2) colors mix fade (R in, B out), then G fade-in, then R&B mix fade (R out, B in), then G fade-out.

Mode 10: B fade-out, then G&B mix fade (G out, B in), then R & G mix fade (R out, G in), then R fade-in.



How to stop running mode of single color LED light caused by RGBW sender interference:

1. When pairing single color LED light to a single color remote, it might get paired by nearby RGBW senders, which might control single color light into running mode.

Running mode cannot be stopped by paired single color remote or by deleting pairing settings.

2. Then we need this remote, and pair remote to Controller via above “**Pair with RF Controller (Method 2)**”, then touch color wheel to stop running mode.
3. Then delete pairing and pair Controller to single color remote again, it can be controlled by remote again.



Customer service and technical support

principalsloan.com

325.227.4577

3490 Venture Dr., San Angelo, TX 76905

