

# SHOWCASE LINEAR WHITE

Exterior LED liner

**SHOWCASE**  
SERIES

## Features

- Slim size – easy fit in different architectural structures
- Dedicated optic design – even washing effect
- On/Off control
- Easy installation and maintenance – auto-addressing and reliable connection by self-locking water-proof connectors



## Optical Specifications

Luminous flux	Short	900 lm
	Long	2880 lm
Efficacy		80 lm/W
CCT		4000 K
CRI		80
Beam angle		15° x 55°

## Electrical/Mechanical Specifications

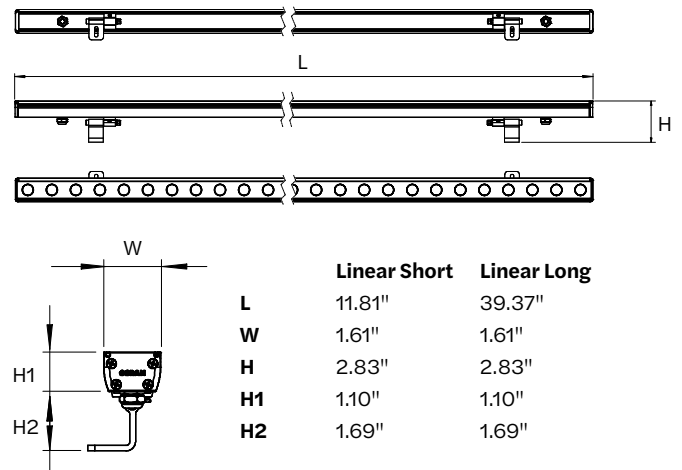
Input voltage		24 VDC
Power consumption	Short	12 W
	Long	36 W
Dimensions L x W x H	Short	11.81" x 1.61" x 1.14"
	(Excluding mounting bracket) Long	39.37" x 1.61" x 1.14"
Weight	Short	1.76 lbs.
	Long	4.41 lbs.
Cover lenses		Semi-tempered glass cover
Housing		Aluminum

## System Specifications

Control		On/Off
Max. interconnection	Short	8 units
	Long	2 units
Adjustment options		±90° tilt
Operating temperature		-4° F - 122° F
Storage temperature		-40° F - 176° F
Environment		Outdoor (IP66)
Lumen maintenance		L <sub>70</sub> @ 25° C - 50,000 hours
Safety approval		Electrical Protection Class III, CE, CB, UL
Warranty		3-year parts only



## Dimensions



## Product Options

Showcase Linear White Fixtures	Part number
Showcase Linear 12 W On/Off 15 x 55 4000 K Short	P-LN1555-12W-40
Showcase Linear 36 W On/Off 15 x 55 4000 K Long	P-LN1555-36W-40

Showcase Linear White Cables	Part number
Showcase Linear White 2-pin DC Power Starter Cable 6-ft	P-LN-2SC-2000
Showcase Linear White 2-pin DC Interconnection CAB 3-ft	P-LN-2IC-CAB-1000
Showcase Linear White 2/3-pin Connector Socket End Cap	P-LN-3PC-EC

Specifications subject to change without notice.

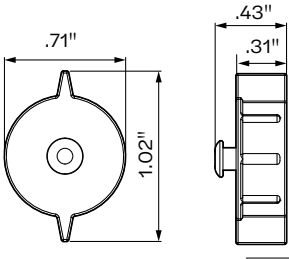
# SHOWCASE LINEAR WHITE

Exterior LED liner

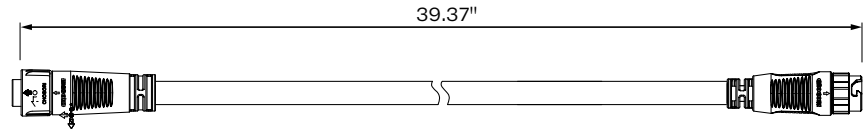
# SHOWCASE SERIES

## Showcase Linear System Diagram

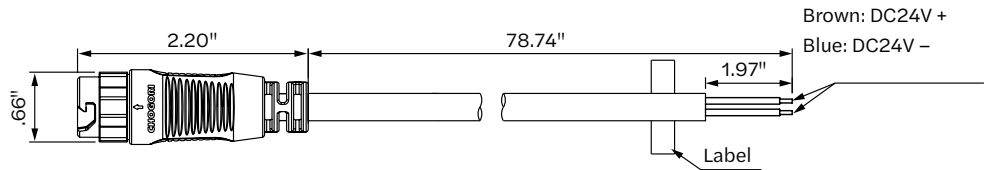
DC On/Off Version – Accessories



Showcase Linear 2/3 Pin  
Connector End Cap  
PL-LN-3PC-EC

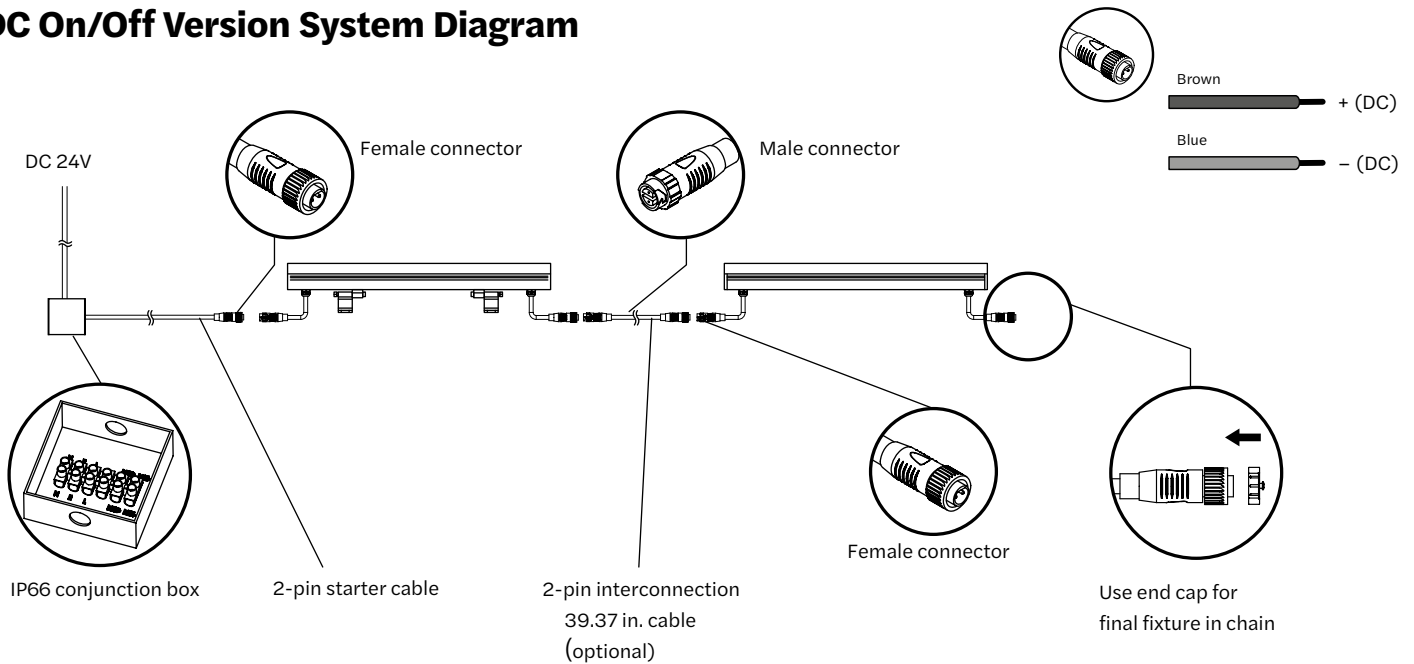


Showcase Linear 2 Pin Interconnect Cable 1000  
P-LN-2IC-CAB-1000



Showcase Linear 2 Pin Starter Cable  
PL-LN-2SC-2000

## DC On/Off Version System Diagram



pinindustries.com

325.227.4577

3490 Venture Dr., San Angelo, TX 76905

© 2023 Principal Industries Rev A 2023-06-07

