

SHOWCASE SPOT WASHER WHITE

LED flood light for facade illumination

SHOWCASE SERIES

Features

- On/Off control
- Easy installation and maintenance – quick installation and reliable connection by self-locking water-proof connectors



Optical Specifications

Light source 18 LEDs
 Luminous flux 3060 lm
 Efficacy 85 lm/W
 CCT 4000 K
 CRI 80
 Beam angle 30°, 60°

Electrical/Mechanical Specifications

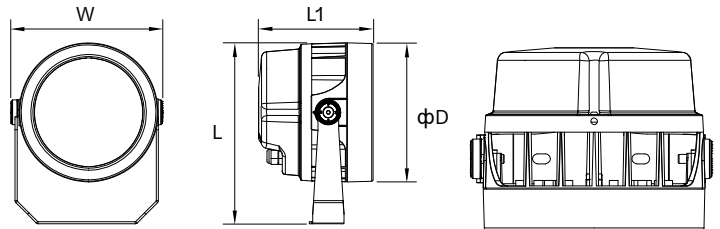
Input voltage 24 VDC
 Power consumption 36 W
 Dimensions (φD × L) 7.87" × 6.5"
 (Excluding mounting bracket)
 Weight 7 lbs.
 Cover lenses Tempered glass cover
 Housing Aluminum

System Specifications

Control On/Off
 Adjustment options ±90° tilt
 Operating temperature -4° F - 122° F
 Storage temperature -40° F - 176° F
 Environment Outdoor (IP66)
 Lumen maintenance L₇₀ @ 25° C - 50,000 hours
 Safety approval Electrical Protection Class III, CE, CB, RoHS, UL
 Warranty 3-year parts only



Dimensions



Fixture

φD 7.87"
 W 8.62"
 L 10.31"
 L1 6.5"

Input/Output Cable
 24"

Product Options

Showcase Washer White Fixtures	Part number
Showcase Spot White 4000 K 36 W 30D On/Off	P-WS84030D-36W-40
Showcase Washer White 4000 K 36 W 60D On/Off	P-WS84060D-36W-40

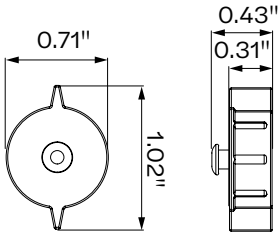
Showcase Washer White Cables	Part number
Showcase Washer 2-pin Starter Cable 6-ft	P-WS-2PS-2M
Showcase Washer 2-pin Interconnect Cable 3-ft	P-WS-2IC-1M
Showcase Washer 2-3-pin Connector Socket End Cap	P-WS-3PC-EC

SHOWCASE SPOT WASHER WHITE

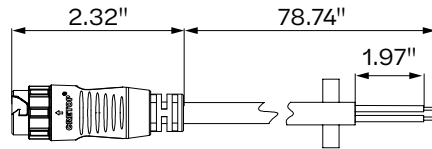
SHOWCASE
SERIES

LED flood light for facade illumination

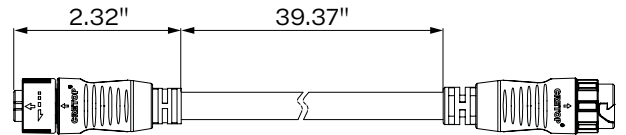
Showcase Spot Washer System Diagram DC On/Off Version



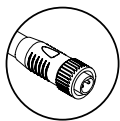
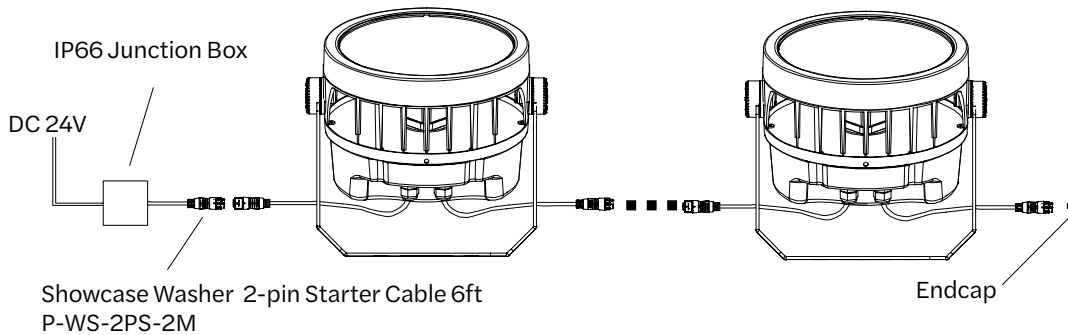
Showcase Washer 2/3 End Cap
P-WS-3PC-EC



Showcase Washer 2-Pin Starter Cable
P-WS-2PS-2M



Showcase Washer 2-Pin Starter interconnect Cable
P-WS-2IC-1M



Brown
— + (D)
Blue
— - (DC)

Power	36W
Maximum number of fixture by DC 24V per chain (refer to cal tool) /	2



pindustries.com
 325.227.4577
 3490 Venture Dr., San Angelo, TX 76905

© 2023 Principal Industries Rev A 2023-06-07

