

# SINGLE-COLOR DIMMER REMOTE & CONTROLLER

## Installation Guide

### Controller

**IMPORTANT:** Read all instructions prior to installation.

#### Operation

One RF remote can be paired with a maximum of 4 RF controllers. Wire according to connection diagram (see **Wiring Diagram** on page 2).

#### Pair RF Controller with RF Remote:

1. Connect and wire up RF Controller correctly and power **ON**.
2. Pair RF Controller with remote (see **Pairing Remote** on page 2).

**NOTE:** One Controller can be paired with a maximum of four (4) remote controls.

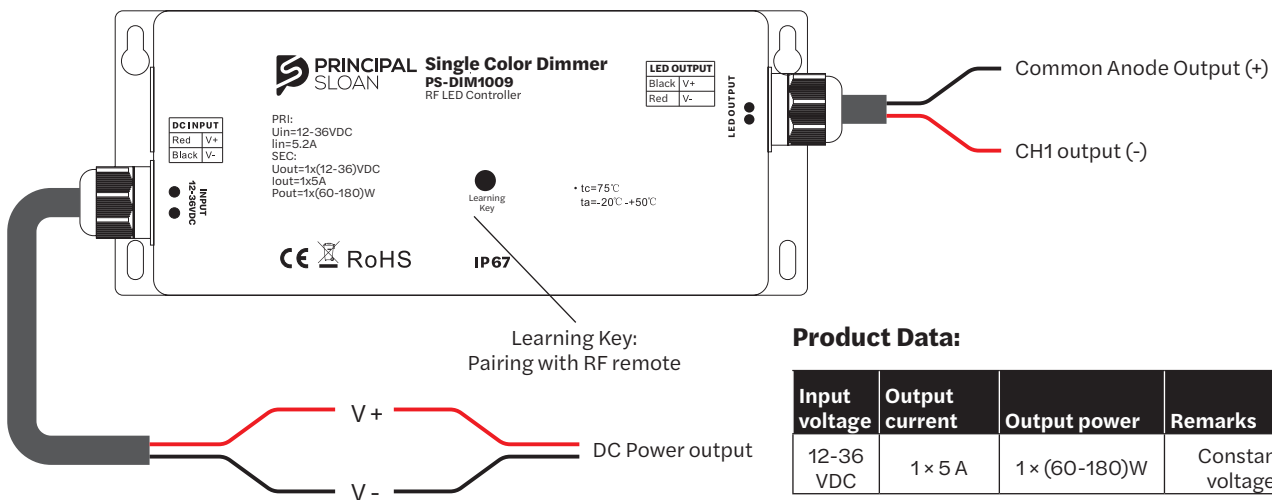
#### Function Introduction

#### Delete Pairing:

1. Wire up RF Controller correctly and power **ON**.
2. Hold down “**Learning Key**” button on Controller for over three (3) seconds until connected LED light on Controller flashes.

#### Safety & Warnings:

- DO NOT install with power applied to device
- This device is IP67-rated protected against damp environments

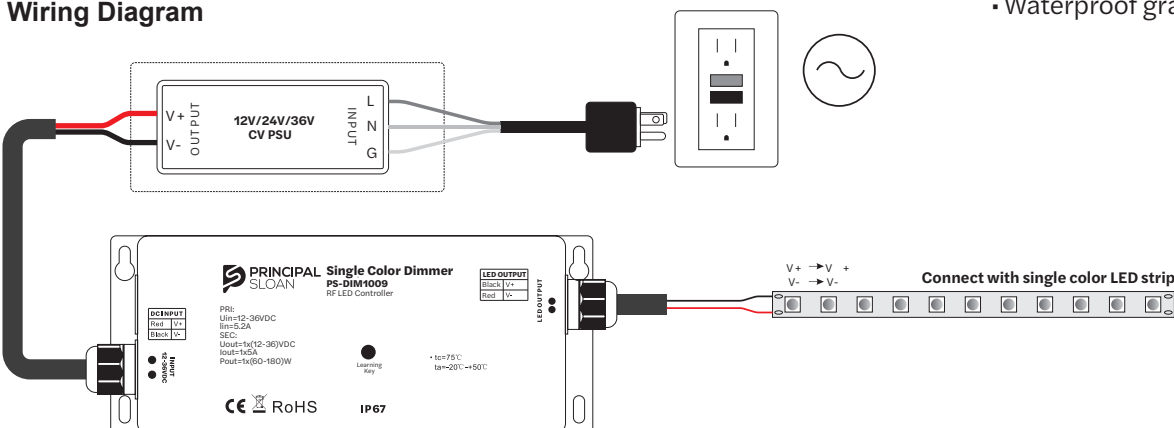


#### Product Data:

Input voltage	Output current	Output power	Remarks	Dimensions (L x W x H)
12-36 VDC	1 x 5 A	1 x (60-180)W	Constant voltage	7.11" x 3.00" x 1.50"

- Radio frequency: 869.5 / 916.5 / 434 mHz
- Waterproof grade: IP67

#### Wiring Diagram

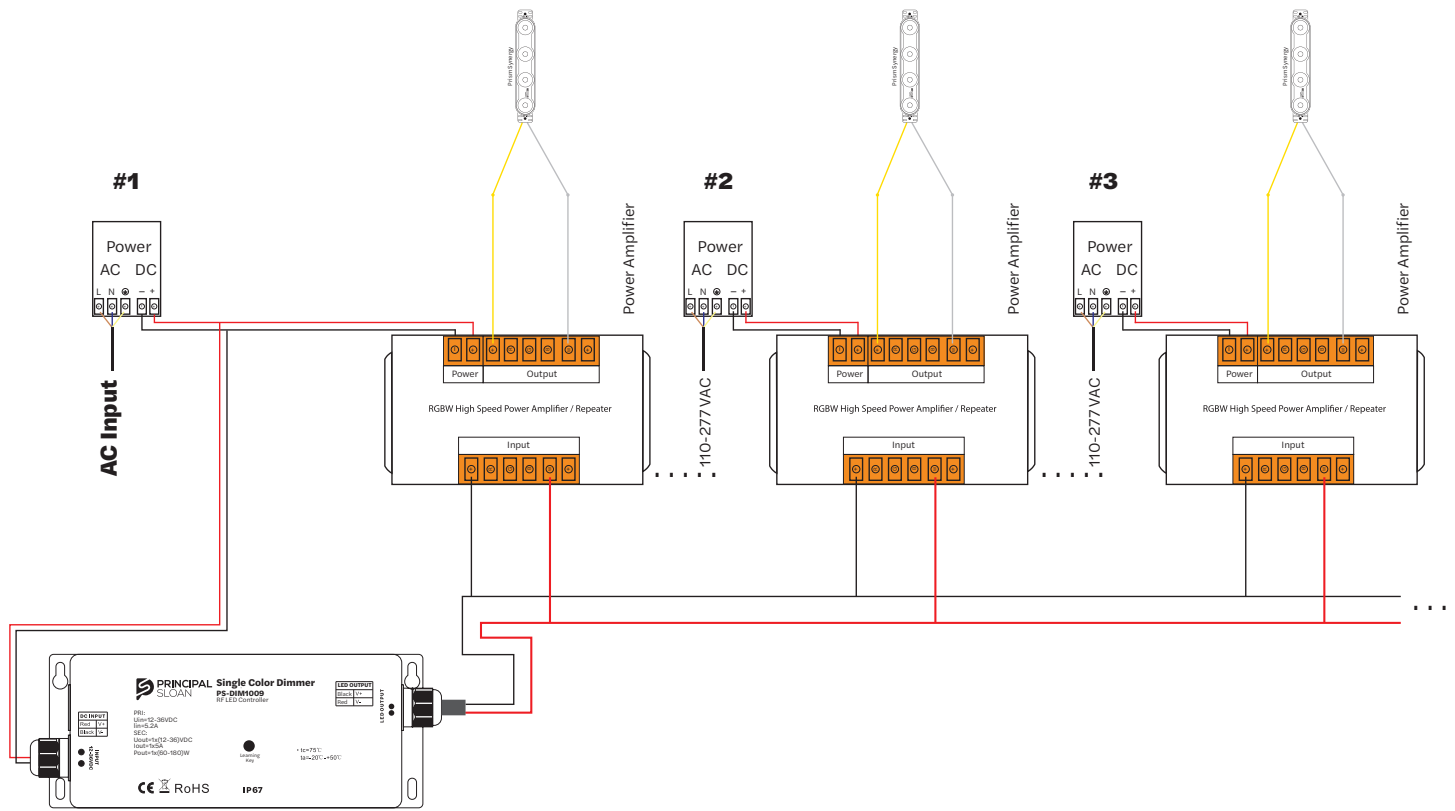


# SINGLE-COLOR DIMMER REMOTE & CONTROLLER

## Installation Guide

### Controller

#### Wiring Diagram



# SINGLE-COLOR DIMMER REMOTE & CONTROLLER

## Installation Guide

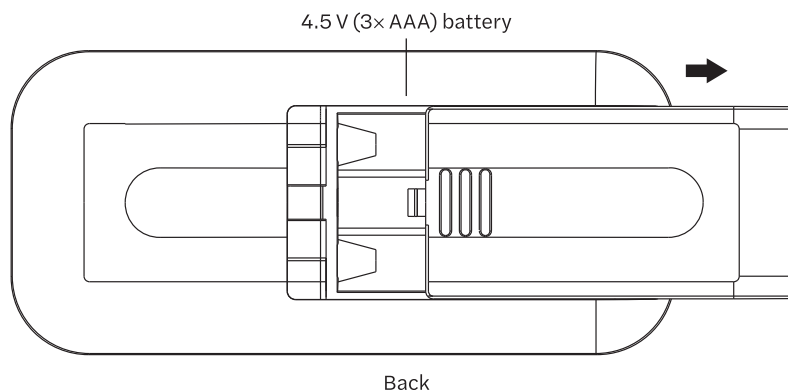
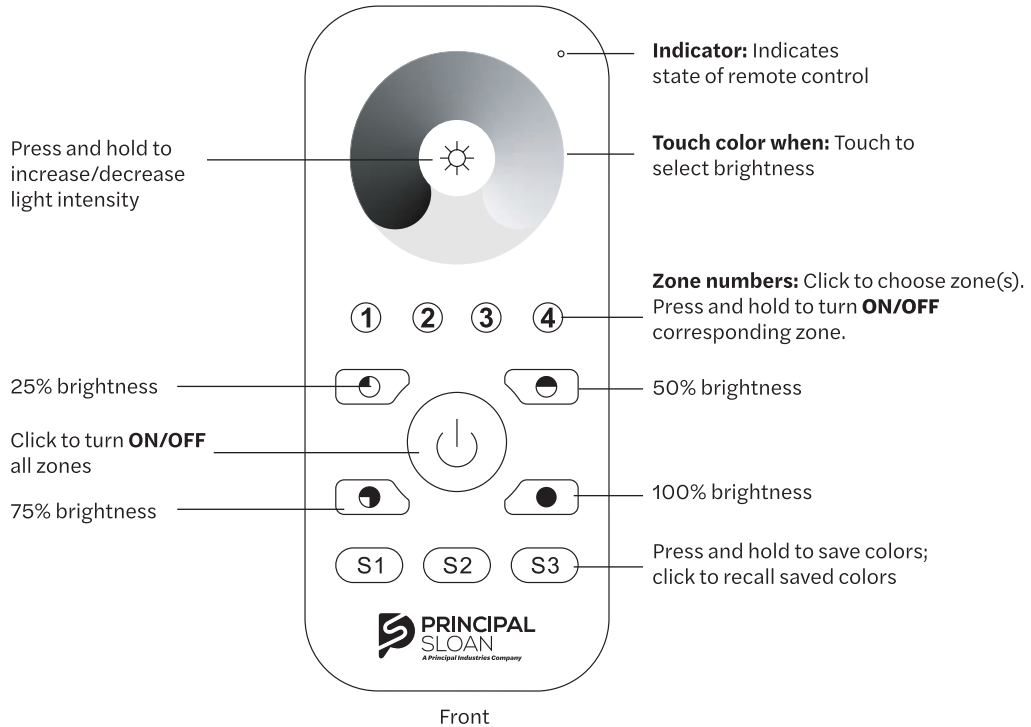
### Remote Control

**IMPORTANT:** Read all instructions prior to installation.

#### Function Introduction

#### Safety & Warnings:

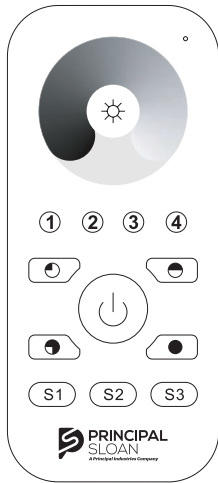
- Device contains AAA batteries that shall be stored and disposed of properly
- DO NOT expose device to moisture



# SINGLE-COLOR DIMMER REMOTE & CONTROLLER

## Installation Guide

### Pair with RF Receiver (Method 1)



**Step 1:** Wire RF Receiver according to wiring diagram (page 1).

**Step 2:** Click **ON/OFF** button to activate remote.

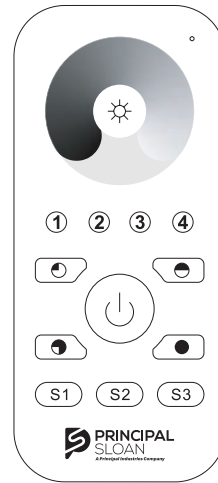


**Step 3:** Click "**Learning Key**" button on RF Receiver or re-power on Receiver three (3) times continuously to set into pairing status.

**Step 4:** Choose and click a zone number (e.g. zone 4).

**Step 5:** Touch color wheel, LED lights connected with RF Receiver flicker once indicating Receiver has paired with zone 4 successfully.

### Pair with RF Receiver (Method 2)



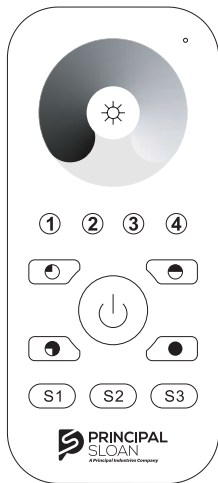
**Step 1:** Wire RF Receiver according to wiring diagram (page 1).

**Step 2:** Click **ON/OFF** button to activate remote.

**Step 3:** Power OFF and power ON Receiver.

**Step 4:** Choose and click a zone number (e.g. zone 4) twice, then press and hold continuously for 10 seconds, LED lights connected with RF Receiver flicker once indicating Receiver is paired with zone 4 successfully.

### Save Color/Scene/Mode



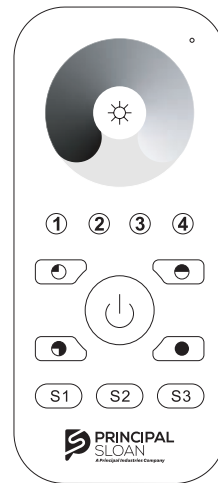
**Step 1:** Click **ON/OFF** button to activate remote.

**Step 2:** Choose and click one or multiple zone numbers (e.g. zone 4).

**Step 3:** Touch color wheel or click other buttons to select scene you like.

**Step 4:** Press and hold any scene button (S1-S3), LED lights connected with RF Receiver flicker once indicated color/scene was saved successfully.

### Recall Saved Colors/Scenes



**Step 1:** Click **ON/OFF** button to activate remote.

**Step 2:** Choose and click one or multiple zone numbers (e.g. zone 4).

**Step 3:** Press and hold any scene button (S1-S3) to recall saved scene.

### If using multiple Receivers, two (2) options are available:

Option 1: Have all Receivers in same zone.

Option 2: Have each Receiver in a different zone.



### Customer service and technical support

principalsloan.com

325.227.4577

3490 Venture Dr., San Angelo, TX 76905

