

SINGLE-COLOR DIMMER REMOTE & CONTROLLER

Installation Guide

Controller

IMPORTANT: Read all instructions prior to installation.

Operation

One RF remote can be paired with a maximum of 4 RF controllers. Wire according to connection diagram (see **Wiring Diagram** on page 2).

Pair RF Controller with RF Remote:

1. Connect and wire up RF Controller correctly and power **ON**.
2. Pair RF Controller with remote (see **Pairing Remote** on page 2).

NOTE: One Controller can be paired with a maximum of four (4) remote controls.

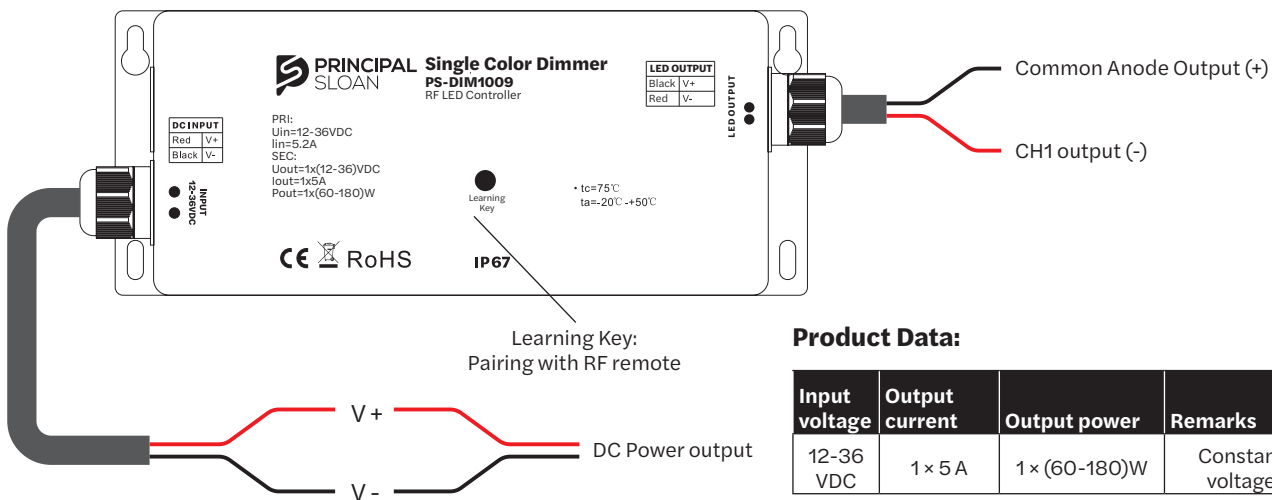
Function Introduction

Delete Pairing:

1. Wire up RF Controller correctly and power **ON**.
2. Hold down “**Learning Key**” button on Controller for over three (3) seconds until connected LED light on Controller flashes.

Safety & Warnings:

- DO NOT install with power applied to device
- This device is IP67-rated protected against damp environments

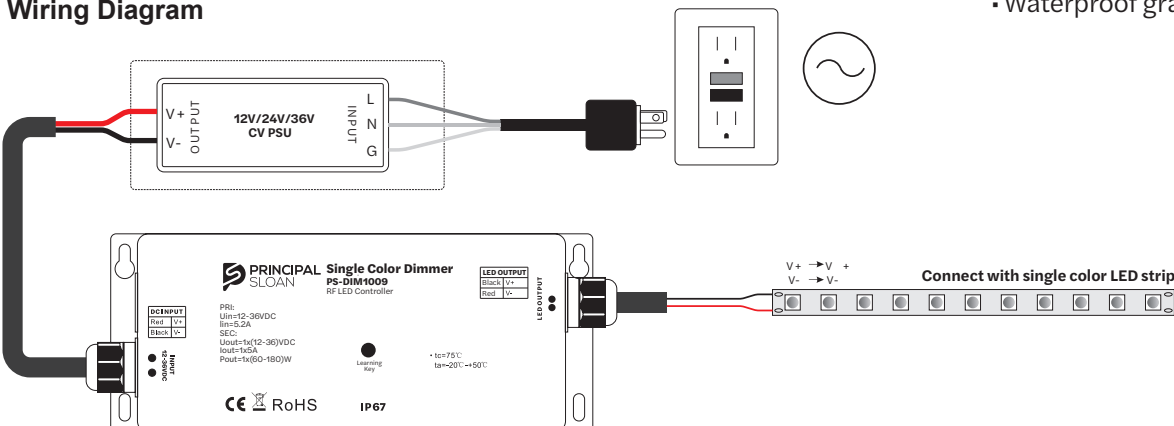


Product Data:

| Input voltage | Output current | Output power | Remarks | Dimensions (L x W x H) |
|---------------|----------------|---------------|------------------|------------------------|
| 12-36 VDC | 1 x 5 A | 1 x (60-180)W | Constant voltage | 7.11" x 3.00" x 1.50" |

- Radio frequency: 869.5 / 916.5 / 434 mHz
- Waterproof grade: IP67

Wiring Diagram



SINGLE-COLOR DIMMER REMOTE & CONTROLLER

Installation Guide

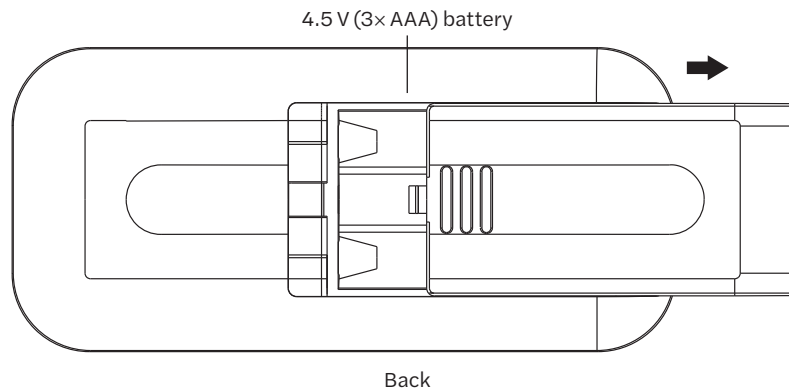
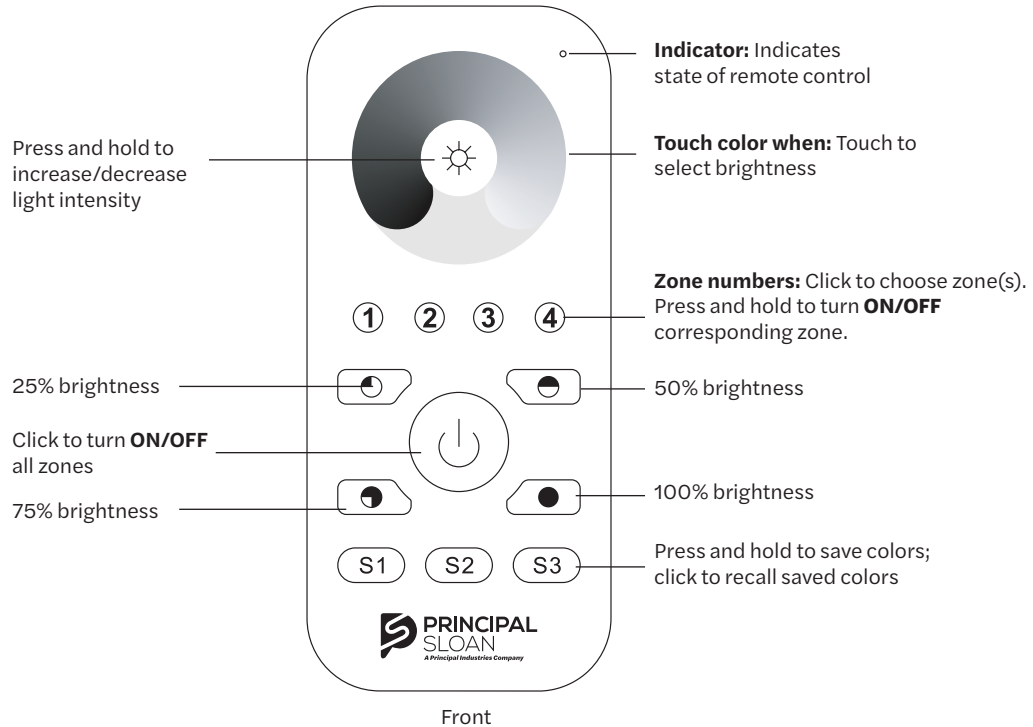
Remote Control

IMPORTANT: Read all instructions prior to installation.

Function Introduction

Safety & Warnings:

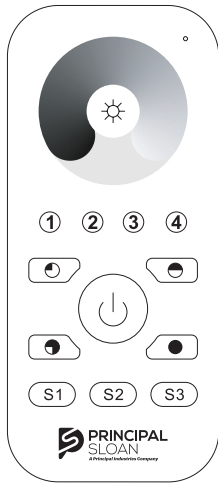
- Device contains AAA batteries that shall be stored and disposed of properly
- DO NOT expose device to moisture



SINGLE-COLOR DIMMER REMOTE & CONTROLLER

Installation Guide

Pair with RF Receiver (Method 1)



Step 1: Wire RF Receiver according to wiring diagram (page 1).

Step 2: Click **ON/OFF** button to activate remote.

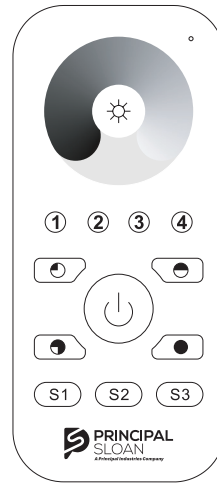


Step 3: Click "**Learning Key**" button on RF Receiver or re-power on Receiver three (3) times continuously to set into pairing status.

Step 4: Choose and click a zone number (e.g. zone 4).

Step 5: Touch color wheel, LED lights connected with RF Receiver flicker once indicating Receiver has paired with zone 4 successfully.

Pair with RF Receiver (Method 2)



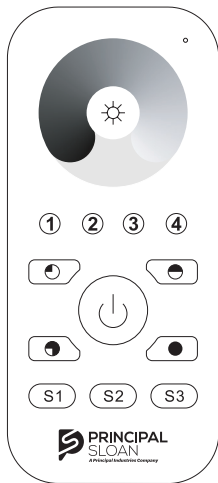
Step 1: Wire RF Receiver according to wiring diagram (page 1).

Step 2: Click **ON/OFF** button to activate remote.

Step 3: Power OFF and power ON Receiver.

Step 4: Choose and click a zone number (e.g. zone 4) twice, then press and hold continuously for 10 seconds, LED lights connected with RF Receiver flicker once indicating Receiver is paired with zone 4 successfully.

Save Color/Scene/Mode



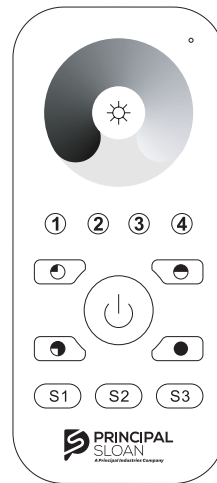
Step 1: Click **ON/OFF** button to activate remote.

Step 2: Choose and click one or multiple zone numbers (e.g. zone 4).

Step 3: Touch color wheel or click other buttons to select scene you like.

Step 4: Press and hold any scene button (S1-S3), LED lights connected with RF Receiver flicker once indicated color/scene was saved successfully.

Recall Saved Colors/Scenes



Step 1: Click **ON/OFF** button to activate remote.

Step 2: Choose and click one or multiple zone numbers (e.g. zone 4).

Step 3: Press and hold any scene button (S1-S3) to recall saved scene.

If using multiple Receivers, two (2) options are available:

Option 1: Have all Receivers in same zone.

Option 2: Have each Receiver in a different zone.



Customer service and technical support

principalsloan.com

325.227.4577

3490 Venture Dr., San Angelo, TX 76905

