

SPECTRUM FX 3D

RGBW LED marquee module



Features

- DMX Control – for use with Principal Sloan line of DMX controllers
- Four interchangeable lens options: Clear Flat, Clear Prismatic, Clear S14, Diffused Round

Optical Specifications

SKU M-SP3DS1-24-FX

Lumen output per module..... R: 380 lm
 G: 8.50 lm
 B: 1.95 lm
 W: 15.00 lm

LED color..... RGBW
 R: 619-624 nm
 G: 523-528 nm
 B: 465-470 nm
 W: 3000 K

Electrical/Mechanical Specifications

Input voltage..... 24 VDC

Rated power per module..... R0.6 W
 G.....0.6 W
 B.....0.6 W
 W.....0.6 W

Max. mods per..... 50
 96W power supply

Modules per daisy chain 25

Length per daisy chain..... 18.4 ft

Mounting S14 socket

System Specifications

Control..... DMX512

Operating temperature -40° C to +60° C

Environment IP67

Safety approval UL

Warranty..... 5-year product / 5-year labor

Accessories*

Description	Part number
Clear Prismatic Lens	M-SP3DS-CLRPRSM1
Clear S14 Lens	M-SP3DS-CLRS14
Diffused Round Lens	M-SP3DS-DIFFRND1
3-ft Male-to-Female Jumper Cable	M-FX-3FT-M/F
40-ft Leader Cable with Female Connector	M-FX-40FT-F

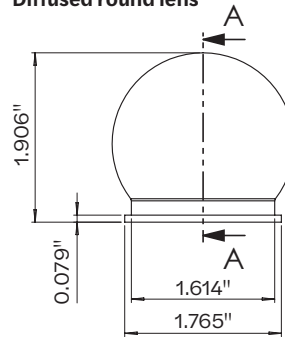
* Removable clear flat lens included on all modules.

Specifications subject to change without notice.

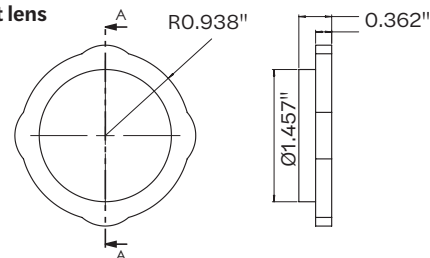


Lens Dimensions

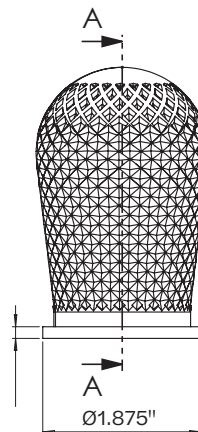
Diffused round lens



Clear flat lens



Clear prismatic lens

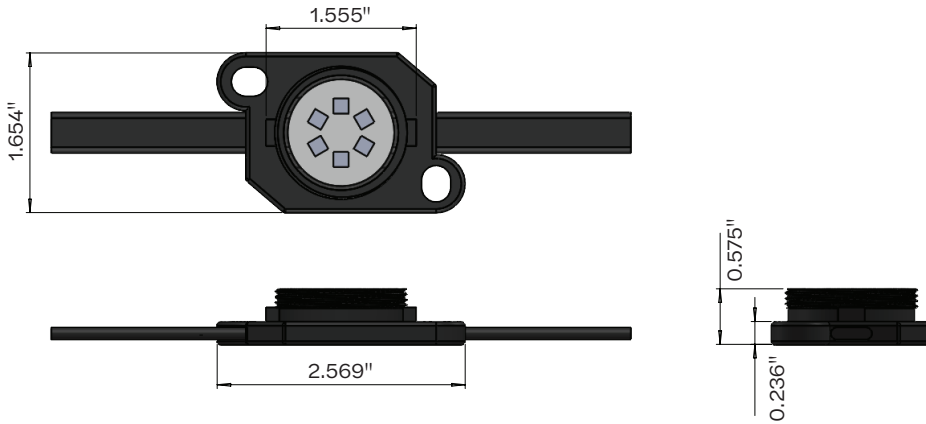


SPECTRUM FX 3D

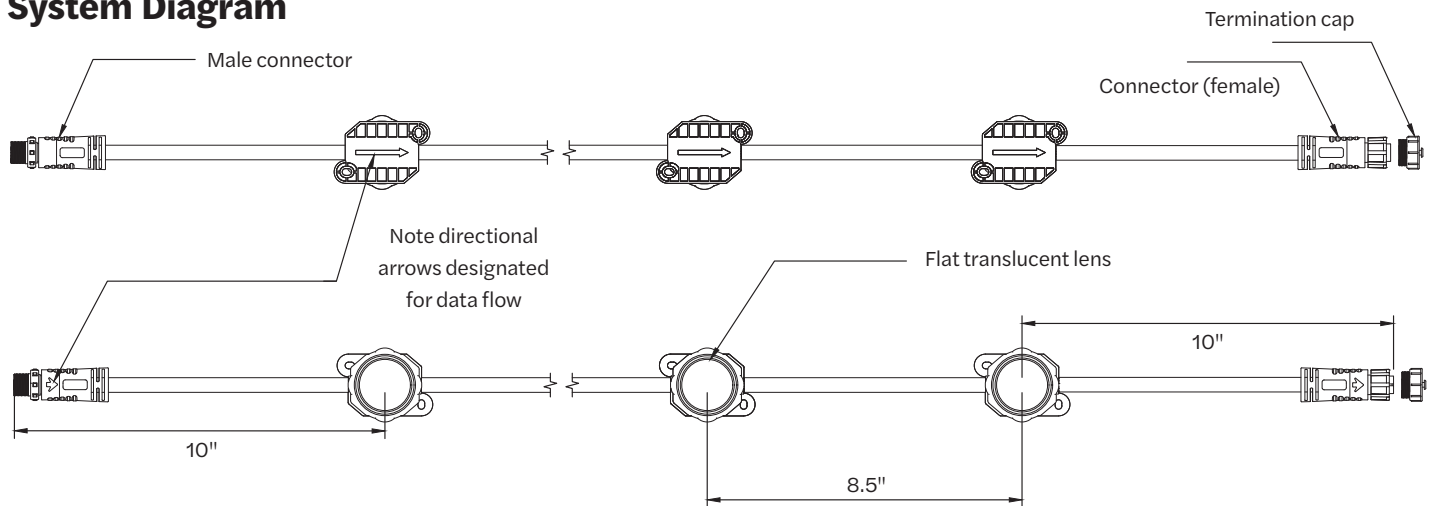
RGBW LED marquee module



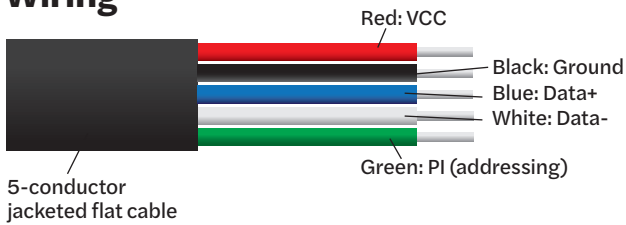
Module Dimensions



System Diagram



Wiring



pinindustries.com
325.227.4577
3490 Venture Dr., San Angelo, TX 76905

© 2026 Principal Industries Rev B 2026-04-14

