

HanleyLED

SPEED BOX 60 W 12 VDC DOUBLE



Specifications

- SKU H60W-PPS5BX212
- Warranty 7-year product/5-year limited labor
- Type Power supply enclosure
- Input voltage 12 VDC
- Watts 60 W (x2)
- Dimensions L x W x H 12.0" x 11.5" x 3.0"
- Weight 5.5 lb.
- Packaging Individually boxed, 5 units per case
- Safety rating Class 2 for use with LEDs and LED signage



Fitted with two H60W-SD-12 high performance superior power supplies



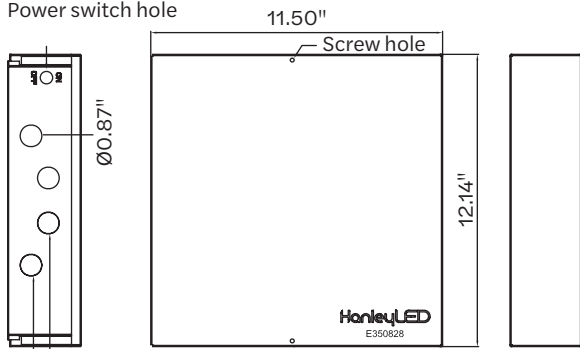
Great versatility with vertical or horizontal mounting

Dry, damp, or wet location rated

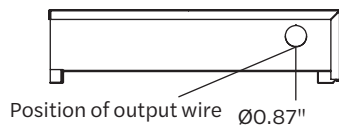
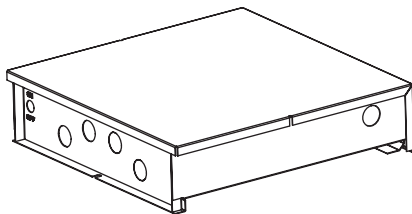
Profile Drawings

Junction box material: Galvanized

Power switch hole



Position of output wire



Specifications subject to change without notice.



HanleyLED

SPEED BOX 60 W 12 VDC DOUBLE



Mounting & Wiring



WARNING

Failure to comply with the instructions and spacing requirements may result in a potential fire hazard or electrical shock.

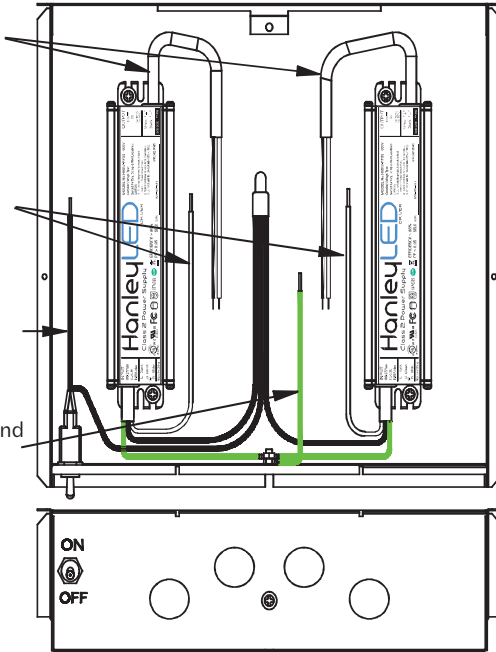


Connect LEDs to these wires
White (Red) is "+".
Black is "-".

Connect neutral to this **White** wire.

Connect line ("hot") to this **Black** wire.

Connect service ground to this **Green** wire.



- Install the Speed Box in an accessible location and securely fasten in place.
 - a) The Speed Box can be installed either horizontally or vertically (see picture for acceptable orientation). Do NOT place it in a location subject to standing water.
 - b) Do not mount to a ceiling grid.
- The Speed Box includes drain holes for water egress so that no drilling is required.
- When mounting in a wet/damp/dry location, please use weatherproof conduit and connectors for the primary power entry and exit points of the Speed Box.
- Do not mount any additional LED Power Supplies into the Speed Box to avoid overheating.
- Input range: 100-277 volts only. Make sure the primary wiring is routed such that it does not compromise the spacing requirements. Orient wire connections off bottom of box.
- Wiring:
 - a) Ensure that service power is turned off before making any wiring connections.
 - b) Connect free white wire to service neutral.
 - c) Connect free black wire from switch to the service line ("hot") wire.
 - d) Connect the service ground to the pre-bounded green wire in the enclosure (please refer to drawings).
 - e) After each wire enters the enclosure, it should be formed into a drip loop to allow moisture to naturally flow to the bottom of the loop, keeping water from ingressing into wires and connections.
- Use provided plastic caps to plug any unused holes when wiring is complete.
- Secure the cover with metal screws provide. Do NOT leave the cover off of the box.

principalsloan.com

325.227.4577

3490 Venture Dr., San Angelo, TX 76905

© 2024 Principal Industries Rev A 2024-01-11

Specifications subject to change without notice.

