

HanleyLED

SUPERIOR 192 W, 24 VDC POWER SUPPLY



Superior Series

Specifications

SKU.....H192W-SD-24
Warranty.....7-year product/1 or 5-year limited labor*

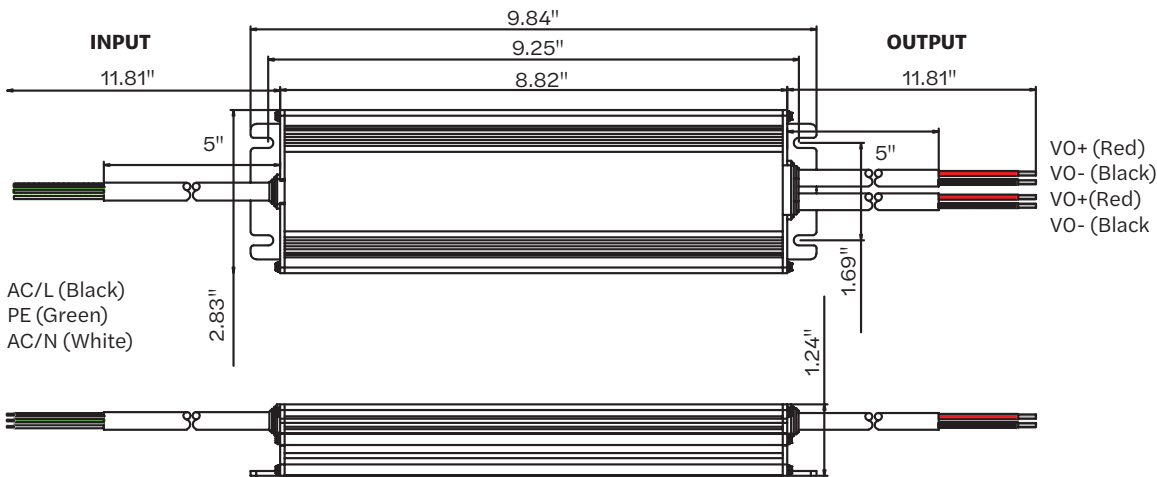
Performance

Input voltage.....100~277 VAC
Input current.....2.0A/115 VAC | 0.8A/277VAC
Input frequency.....50~60 Hz
Efficiency.....≥93%
Power factor.....≥.99@115VAC
Power input.....2.3 A max.
Output voltage.....DC 24V ±2.5%
Output current.....4 A x2
Output power.....192 W

Safety

Protective characteristics..... Over-current/short-circuit/
over-voltage/over-temperature
Safety rating.....IP68, Class 2
Dielectric Strength (Hi-Pot) I/P-O/P 3.75KVac/10mA/60S
I/P-Case 1.8KVac/10mA/60S
Insulation Resistance.....100MOhm Max/500Vdc/3S
Grounding Resistance.....<0.1ohm
EMC.....FCC part 15 class B EN55015

Dimensions



High performance 24 volt superior power supply



UL Retrofit Kit Classified

Environmental

Operating temperature.....-40°~+60° C
Storage temperature.....-40°~+80° C
Relative humidity.....20~95% RH, non-cond.
Vibration.....10 ~ 500HZ, 5G, 30 minutes
(for X, Y, Z each axis)



* 5-years limited labor if paired with HanleyLEDs.
1-year limited labor with any other qualified LEDs.

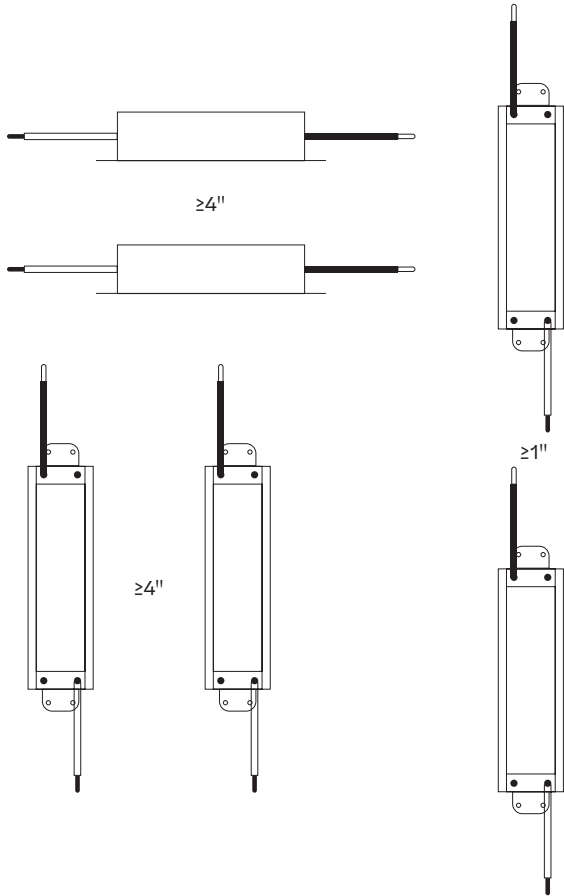
HanleyLED

SUPERIOR 192 W, 24 VDC POWER SUPPLY



Superior Series

Spacing Between Power Supplies



- Ensure that the ground wire is properly grounded and ensure it does not come into contact with the neutral wire.
- Ensure the power supply position has sufficient airflow.
- Operating temperature must be between -40°C to $+60^{\circ}\text{C}$.
- Do not overload the power supply with multiple appliances.
- Power supply operates at high temperature.
To avoid injury, do not touch while in use.
- Do not install with power connected or during an electrical disturbance.
- Do not attempt to install by yourself.
Please contact the supplier with any questions.
- Please read and follow the instructions carefully before installing.
Ensure all contact points are in good working order.
- Please pay attention to the environment, and check for any unsafe conditions.

UL 48 Standard requires spacing between LED power supplies shall be at least 1 inch from end to end and 4 inches from side to side. This is to ensure adequate heat dissipation. Greater spacing may be required when heat ventilation in the sign or power supply enclosure is not adequate.