

HanleyLED

SUPERIOR 60 W, 12 VDC POWER SUPPLY



Superior Series

Specifications

SKU.....H60W-SD-12
Warranty.....7-year product/1 or 5-year limited labor*

Performance

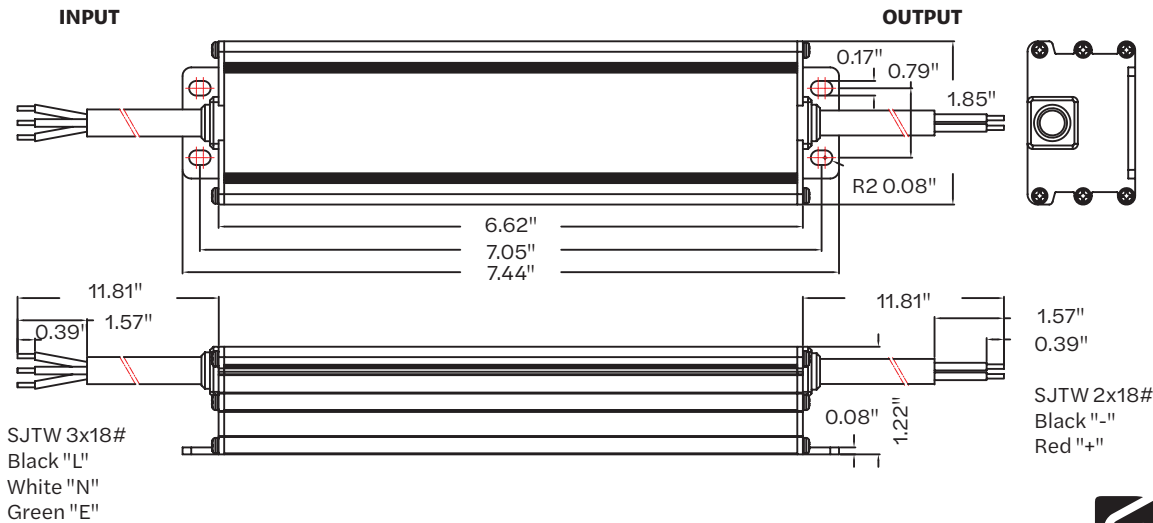
Input voltage.....100~277 VAC
Input current.....0.8A/110 VAC | 0.3A/277VAC
Input frequency.....50~60 Hz
Efficiency.....≥ 86%
Power factor.....≥ 0.95
Power input.....0.8 A max.
Output voltage.....DC 12V ±2.5%
Output current.....5 A
Output power.....60 W

Safety

Protective characteristics..... Over-current/short-circuit/
over-voltage/over-temperature
Safety rating.....IP68, Class 2
Dielectric Strength (Hi-Pot) I/P-O/P 3KVac/10mA/60S
I/P-Case 1.8KVac/10mA/60S
Insulation Resistance.....100MOhm Max/500Vdc/3S
Grounding Resistance.....<0.1ohm
EMC.....FCC part 15 class B EN55015

* 5-years limited labor if paired with HanleyLEDs.
1-year limited labor with any other qualified LEDs.

Dimensions



Specifications subject to change without notice.

High performance superior power supply



UL Retrofit Kit Classified

Environmental

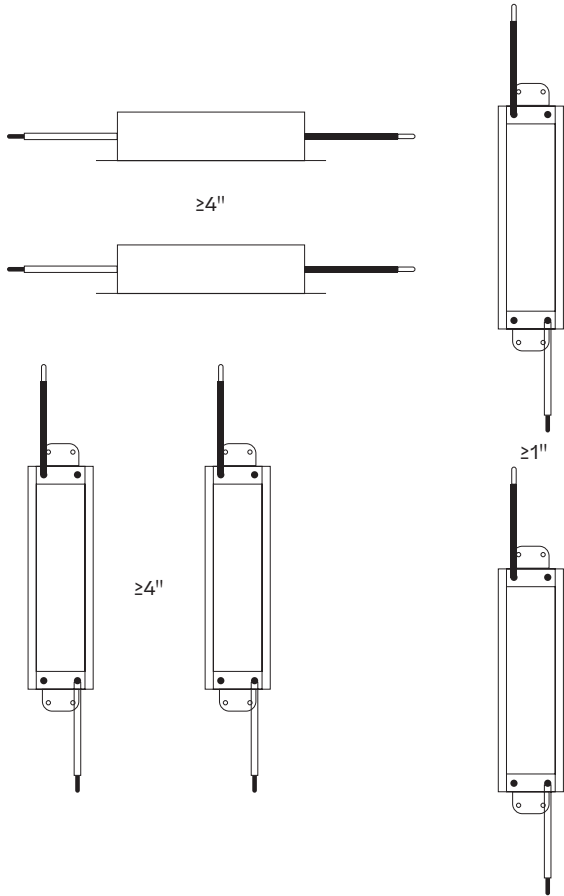
Operating temperature.....-40°~+60° C
Storage temperature.....-40°~+85° C
Relative humidity.....20~95% RH, non-cond.
Vibration.....10 ~ 500HZ, 5G, 30 minutes
(for X, Y, Z each axis)



SUPERIOR 60 W, 12 VDC POWER SUPPLY



Spacing Between Power Supplies



- Ensure that the ground wire is properly grounded and ensure it does not come into contact with the neutral wire.
- Ensure the power supply position has sufficient airflow.
- Operating temperature must be between -40° C to +60° C.
- Do not overload the power supply with multiple appliances.
- Power supply operates at high temperature.
To avoid injury, do not touch while in use.
- Do not install with power connected or during an electrical disturbance.
- Do not attempt to install by yourself.
Please contact the supplier with any questions.
- Please read and follow the instructions carefully before installing.
Ensure all contact points are in good working order.
- Please pay attention to the environment, and check for any unsafe conditions.

UL 48 Standard requires spacing between LED power supplies shall be at least 1 inch from end to end and 4 inches from side to side. This is to ensure adequate heat dissipation. Greater spacing may be required when heat ventilation in the sign or power supply enclosure is not adequate.

Recommended drivers per enclosure:

- 60 W = 2 max
- 100 W = 1 max
- 96 W = 1 max
- 120 W = 1 max
- 150 W = 1 max
- 180 W = 1 max
- 192 W = 1 max
- 240 W = 1 max