

HanleyLED

SUPERIOR 96 W, 24 VDC POWER SUPPLY



Superior Series

Specifications

SKU.....H96W-SD-24
Warranty.....7-year product/1 or 5-year limited labor*

Performance

Input voltage.....115~277 VAC
Input current.....1.0A/115 VAC | 0.45A/277VAC
Input frequency.....50~60 Hz
Efficiency.....≥ 87%
Power factor.....≥ 0.93
Power input.....1.3 A max.
Output voltage.....DC 24V ±2.5%
Output current.....4 A
Output power.....96 W

Safety

Protective characteristics..... Over-current/short-circuit/
over-voltage/over-temperature
Safety rating.....IP68, Class 2
Dielectric Strength (Hi-Pot) I/P-O/P 3KVac/10mA/60S
I/P-Case 1.8KVac/10mA/60S
Insulation Resistance.....100MOhm Max/500Vdc/3S
Grounding Resistance.....<0.1ohm
EMC.....FCC part 15 class B EN55015

High performance 24 volt superior power supply



UL Retrofit Kit Classified

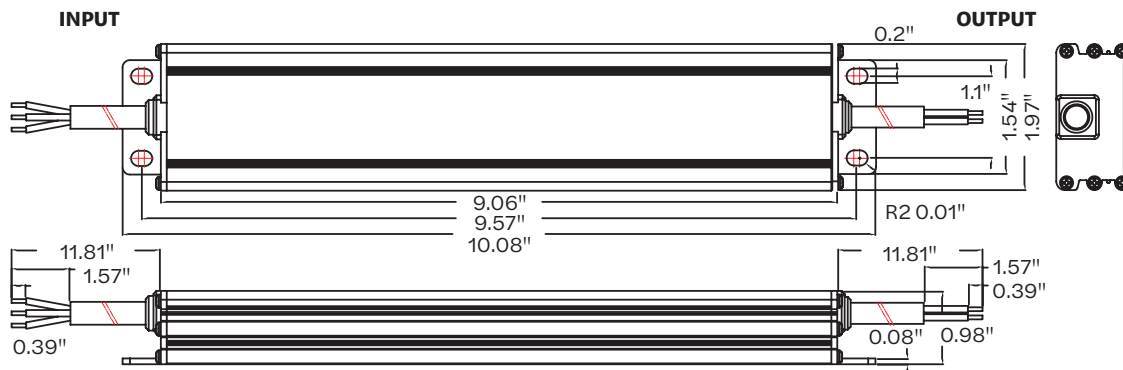
Environmental

Operating temperature.....-40°~+60° C
Storage temperature.....-40°~+85° C
Relative humidity.....20~95% RH, non-cond.
Vibration.....10 ~ 500HZ, 5G, 30 minutes
(for X, Y, Z each axis)



* 5-years limited labor if paired with HanleyLEDs.
1-year limited labor with any other qualified LEDs.

Dimensions



SJTW 3x18#
Black "L"
White "N"
Green "E"

SJTW 2x18#
Black "-"
Red "+"

Specifications subject to change without notice.



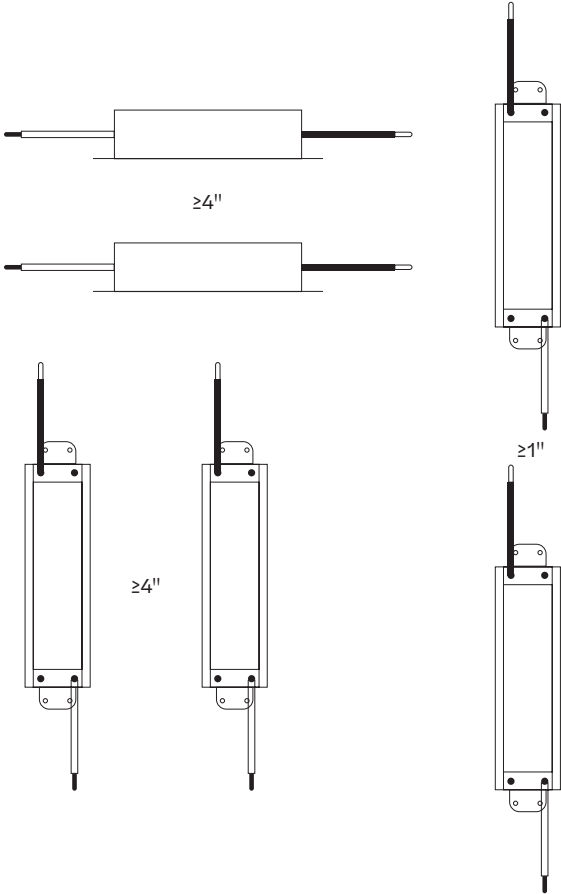
HanleyLED

SUPERIOR 96 W, 24 VDC POWER SUPPLY



Superior Series

Spacing Between Power Supplies



- Ensure that the ground wire is properly grounded and ensure it does not come into contact with the neutral wire.
- Ensure the power supply position has sufficient airflow.
- Operating temperature must be between -40° C to +60° C.
- Do not overload the power supply with multiple appliances.
- Power supply operates at high temperature.
To avoid injury, do not touch while in use.
- Do not install with power connected or during an electrical disturbance.
- Do not attempt to install by yourself.
Please contact the supplier with any questions.
- Please read and follow the instructions carefully before installing.
Ensure all contact points are in good working order.
- Please pay attention to the environment, and check for any unsafe conditions.

UL 48 Standard requires spacing between LED power supplies shall be at least 1 inch from end to end and 4 inches from side to side. This is to ensure adequate heat dissipation. Greater spacing may be required when heat ventilation in the sign or power supply enclosure is not adequate.

Recommended drivers per enclosure:

- 60 W = 2 max
- 100 W = 1 max
- 96 W = 1 max
- 120 W = 1 max
- 150 W = 1 max
- 180 W = 1 max
- 192 W = 1 max
- 240 W = 1 max

principalsloan.com
325.227.4577
3490 Venture Dr., San Angelo, TX 76905

© 2024 Principal Industries Rev A 2024-01-11

Specifications subject to change without notice.

 **PRINCIPAL
SLOAN**
We Speak
Sign Language