

# SYMPHONY BILLBOARD LIGHT

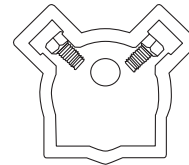
LED Billboard lighting



**SYMPHONY**  
SERIES

## Specifications

- Input voltage ..... 120-277 V
- System Watts ..... 100 W
- Surge protection ..... L/N-PE: 10 kV, L-N: 6 kV
- Operating temp. .... -25° C to +45° C
- Dimming ..... 0-10 VDC standard
- Lumens ..... 15,500
- Efficacy ..... 155 lm/W
- Color temp (CCT) ..... 5000 K
- CRI ..... >80
- Housing ..... Aluminum
- Ingress protection ..... IP66
- Mounting angle ..... 22°
- Finish ..... Bronze (RAL-8019) or Gray (RAL-9006) powder coat
- Optics ..... Impact-resistant UV-stabilized PC
- Documentation ..... UL Listed, RoHS, LM79 and LM80 available, IES files available
- Warranty ..... 10-Year Product Replacement



**Slip-fitter mounting bracket can mount to 1.5" (38 mm) square or 1.25" (1.66" [42 mm] OD) round tubing**



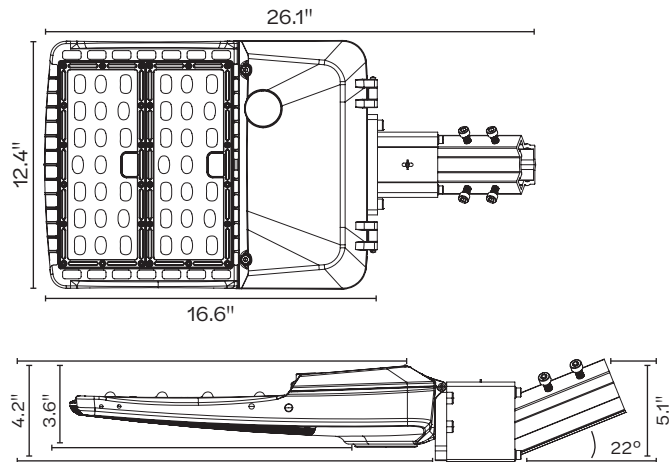
## Product Option Matrix

Example: SYM-BLB100U-50BZ-M22

SYM-BL	100U-50	-M22
	Optic type	Finish
	<b>B</b> Bulletin	<b>BZ</b> Bronze
	<b>P</b> COMING SOON Poster	<b>GY</b> Gray

## Dimensions

Weight: 13.4 lbs. including mounter



Fixture includes 96" 5-conductor cable



principalsloan.com  
 325.227.4577  
 3490 Venture Dr., San Angelo, TX 76905