

# RGB RECEIVING CONTROLLER

*Principal LED offers a complete range of indoor power supplies for POP, cove, and retail applications, as well as dimmers and RGB controllers. We even carry wire to help finish the job!*

## RGB Receiving Controller

- Input Voltage: DLC12V-DC24V
- Max. Current Load: 5A X 3CH / Max. 15A
- Max. Output Power: 180W/360W (12V/24V)
- Compatible Remote Control: T3M



Product	SKU Number
RGB CV Receiving Controller	P-C315

# RGB REMOTE

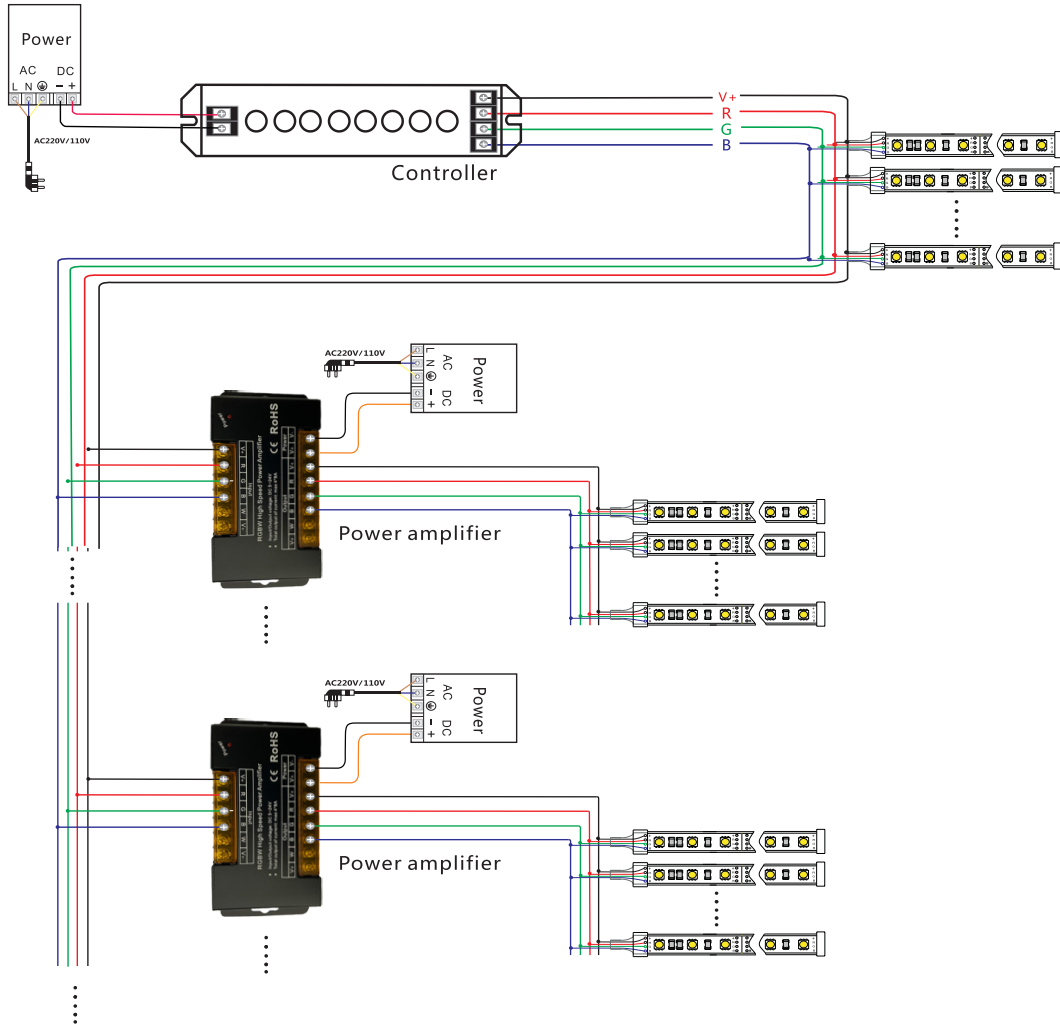
## RGB Remote Control

- Input Voltage: DC5V Built-in Lithium Battery
- Working Current: < or = 30mA
- Battery Capacity: 1000mAh
- Connection Mode: Sync Control unlimited receivers

Product	SKU Number
RGB Remote Control	P-C315-WR



# POWER AMPLIFIER FIGURE



[www.p-led.com](http://www.p-led.com)

(325) 227-4577

3490 Venture Drive, San Angelo, Texas 76905

[info@p-led.com](mailto:info@p-led.com)