

# Universal 36W Power Supply



## PART

| UL Part Number | Ordering Part Number |
|----------------|----------------------|
| PL-36-12-PCM-U | P-OH036-12-PL        |

## PERFORMANCE

|                 |             |
|-----------------|-------------|
| Input Voltage   | 100~277 VAC |
| Input Current   | 0.95A~0.40A |
| Input Frequency | 47~63Hz     |
| Power Factor    | Normal      |
| Output Voltage  | DC12V ±3%   |
| Output Current  | 0-3.0A      |
| Output Power    | 36W Max.    |

## PHYSICAL

|                 |                |
|-----------------|----------------|
| Length          | 5.82" (148mm)  |
| Width           | 1.57" (40mm)   |
| Height          | 1.18" (30mm)   |
| Mounting Length | 5.55" (141mm)  |
| Weight          | 0.61lbs (280g) |
| Lead Lengths    | 220mm ± 10mm   |

## ORDERING GUIDE

| P              | O                    | H           | 036      | 12           | PL                         |
|----------------|----------------------|-------------|----------|--------------|----------------------------|
| Power Supplies | Outdoor, Direct-wire | 100-277 VAC | Max. 36W | 12VDC Output | Principal LED Power Supply |

## FEATURES

- Universal input voltage 100~277 VAC
- Meets UL/CE/EMC/FCC/ROHS Certificate
- Plastic fire-retardant case, silicone potted
- 100% full load burn-in tested
- Dry or damp locations rated

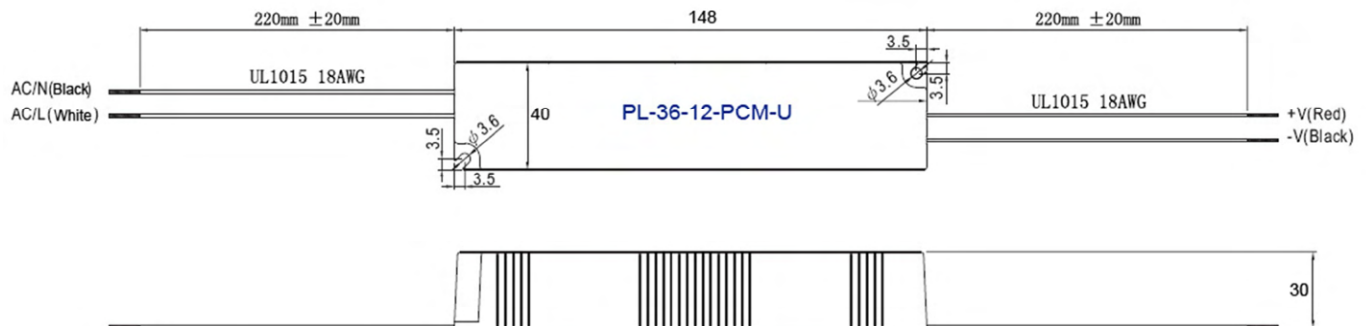
## SAFETY

|                          |   |
|--------------------------|---|
| Over Current Protection  | 110~120%  |
| Short Circuit Protection | Hiccup mode, auto recover                           |
| Other Protection         | Over voltage  |
| UL                       | UL879 / UL8750                                      |
| CE-LVD                   | EN61347-1:2008+A1:2011+A2:2013<br>EN61347-2-13:2014 |

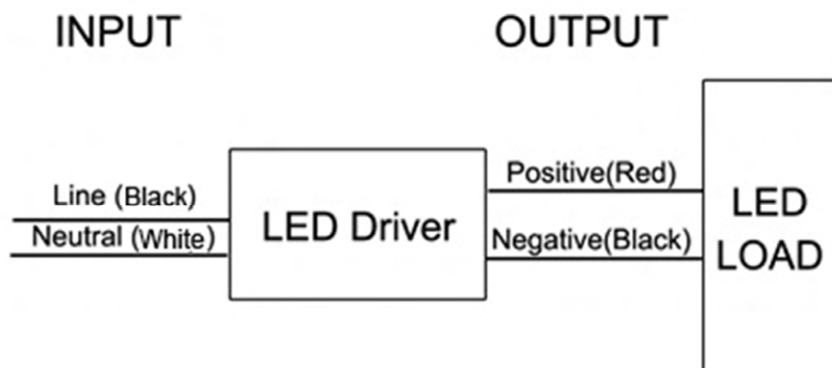
## ENVIRONMENTAL

|                       |                                |
|-----------------------|--------------------------------|
| CE-EMC                | EN55015, EN61547, EN61000      |
| FCC                   | FCC 47 CFR PART 15, CLASS B    |
| IP Rating             | IP67                           |
| Operating Temperature | -30°C to 60°C (-22°F to 140°F) |
| Storage Temperature   | -40°C to 85°C (-40°F to 185°F) |
| Relative Humidity     | 20 to ±90% RH non cond.        |

MECHANICAL OUTLINE:



WIRING DIAGRAM:



@ www.p-led.com

(325) 227-4577

3490 Venture Drive, San Angelo, Texas 76905

info@p-led.com