

HanleyLED

UNIVERSAL 60 W, 12 VDC MINI DRIVER POWER SUPPLY

Specifications

SKU H60W-MD-12
Warranty 5-year product/1 or 5-year limited labor

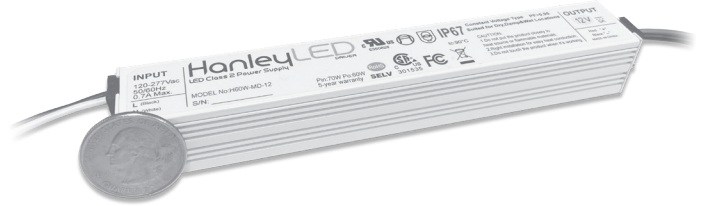
Performance

Input voltage 120~277 VAC
Input current 0.7A/120 VAC
Input frequency 50~60 Hz
Power input 0.75 A max.
Output voltage DC 12V ±5%
Output current 5 A
Output power 60 W

Safety

Protective characteristics Over-current/short-circuit/
over-voltage/over-temperature
Safety rating IP67, Class 2
Dielectric Strength (Hi-Pot) I/P-O/P 3KVac/10mA/3S
I/P-Case 1.5KVac/10mA/3S
Insulation Resistance 100MΩ Max/500Vdc/3S
Grounding Resistance 100mΩ
EMC FCC part 15 class B

Applications: Self-contained channel letters, shallow signs, narrow raceways, or simply anytime you need a high quality mini power supply



Can load 22 power supplies on a 20 Amp unit

Dry & damp location rated

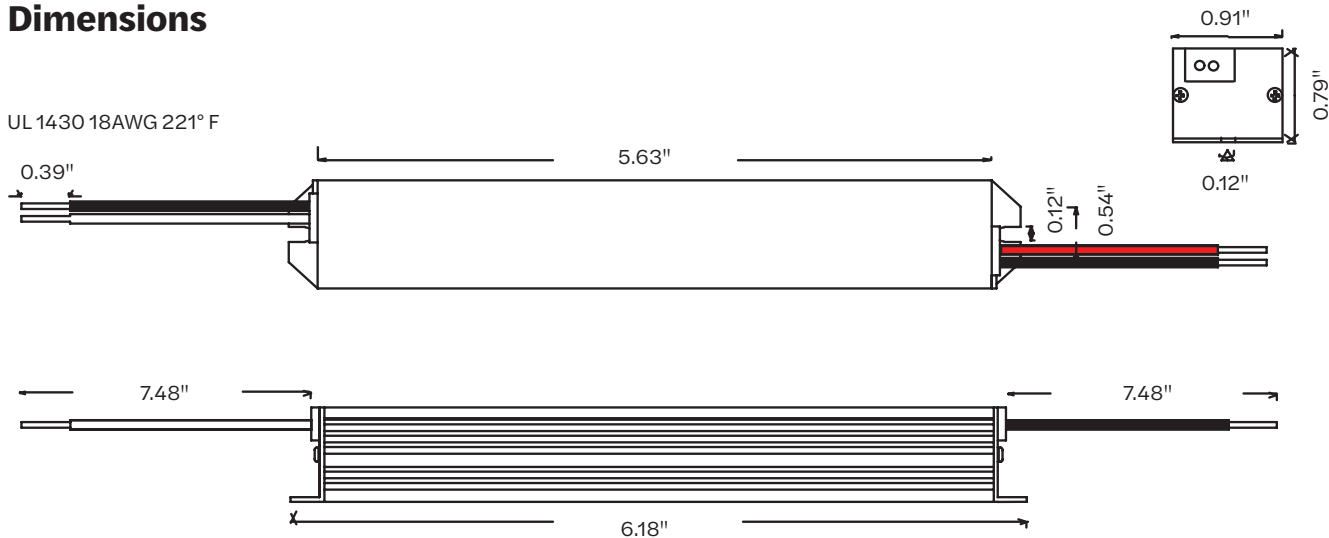
Environmental

Operating temperature -30°~+50° C
Storage temperature -35°~+65° C
Relative humidity 10~95% RH, non-cond.
Vibration 10 ~ 500HZ, 1 mm, 15 minutes
(for X, Y, Z each axis)



Dimensions

UL 1430 18AWG 221° F



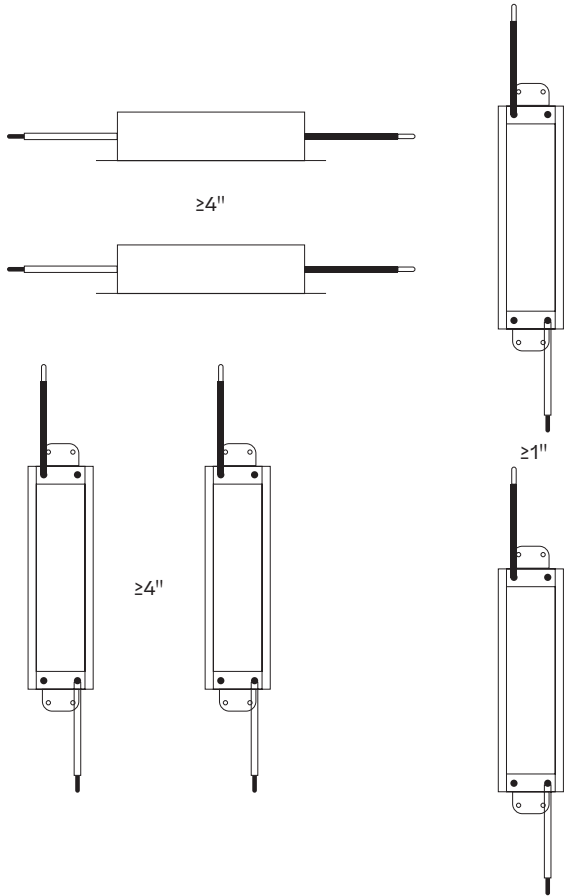
Specifications subject to change without notice.



HanleyLED

UNIVERSAL 60 W, 12 VDC MINI DRIVER POWER SUPPLY

Spacing Between Power Supplies



- Ensure that the ground wire is properly grounded and ensure it does not come into contact with the neutral wire.
- Ensure the power supply position has sufficient airflow. Operating temperature must be between -30°C to $+50^{\circ}\text{C}$.
- Do not overload the power supply with multiple appliances.
- Power supply operates at high temperature. To avoid injury, do not touch while in use.
- Do not install with power connected or during an electrical disturbance.
- Do not attempt to install by yourself. Please contact the supplier with any questions.
- Please read and follow the instructions carefully before installing. Ensure all contact points are in good working order.
- Please pay attention to the environment, and check for any unsafe conditions.

UL 48 Standard requires spacing between LED power supplies shall be at least 1 inch from end to end and 4 inches from side to side. This is to ensure adequate heat dissipation. Greater spacing may be required when heat ventilation in the sign or power supply enclosure is not adequate.