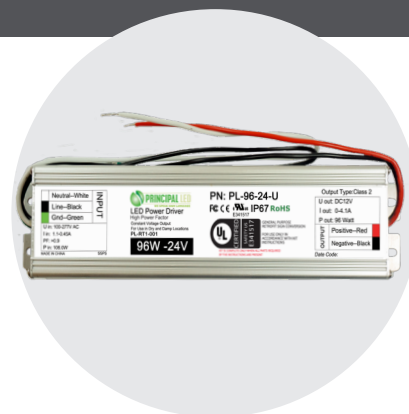


# Universal 96W Power Supply



## PART

UL Part Number	Ordering Part Number
PL-96-24-U	P-OH096-24-PL

## FEATURES

- Universal input voltage 100~277 VAC
- Meet UL/CE/EMC/FCC/ROHS Certificate
- Aluminum shell, silicone potted
- 100% full load burn-in tested
- Dry or damp locations rated

## PERFORMANCE

Input Voltage	100~277 VAC
Input Current	1.1A @ 120VAC, 0.45A @ 277VAC
Input Frequency	47~63Hz
Power Factor	≥0.92
Output Voltage	DC24V ±2%
Output Current	0-4.0A
Output Power	96W Max.

## SAFETY

Over Current Protection	110~120%
Short Circuit Protection	Hiccup mode, auto recover
Other Protection	Over voltage
UL	UL879 / UL8750
CE-LVD	EN61347-1:2008+A1:2011+A2:2013 EN61347-2-13:2014

## PHYSICAL

Length	7.40" (188mm)
Width	2.38" (60.5mm)
Height	1.53" (39mm)
Mounting Length	8.46" (215mm)
Weight	1.58lbs (720g)
Lead Lengths	SVT Cable 8.66" ±0.39" (220mm ± 10mm)

## ENVIRONMENTAL

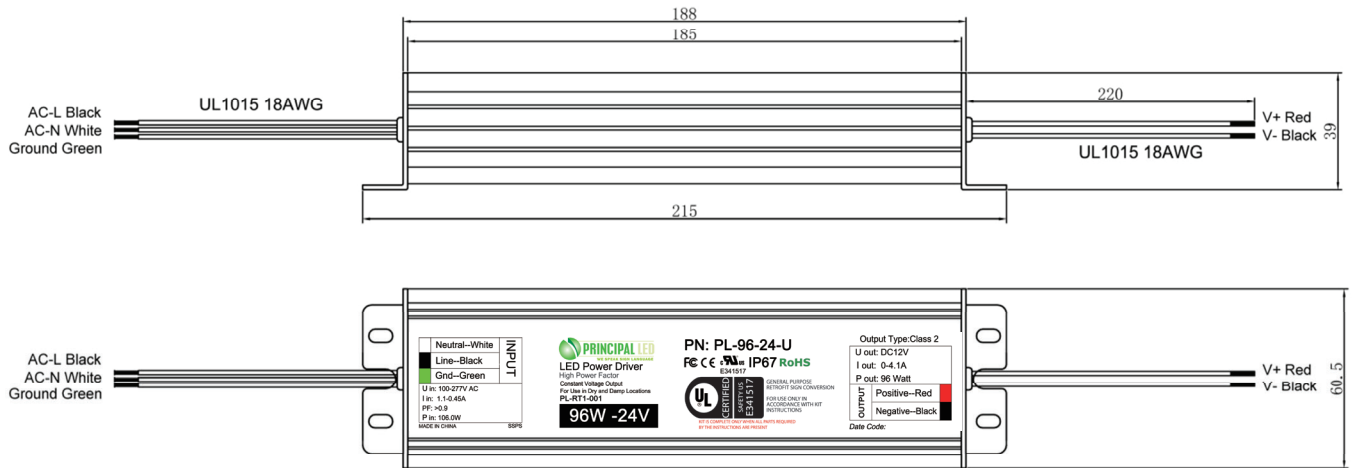
CE-EMC	EN55015, EN61547, EN61000
FCC	FCC 47 CFR PART 15, CLASS B
IP Rating	IP67
Operating Temperature	-30°C to 60°C (-22°F to 140°F)
Storage Temperature	-40°C to 85°C (-40°F to 185°F)
Relative Humidity	20 to ±90% RH non cond.

## ORDERING GUIDE

P	O	H	096	24	PL
Power Supplies	Outdoor, Direct-wire	100-277 VAC	Max. 96W	24VDC Output	Principal LED Power Supply

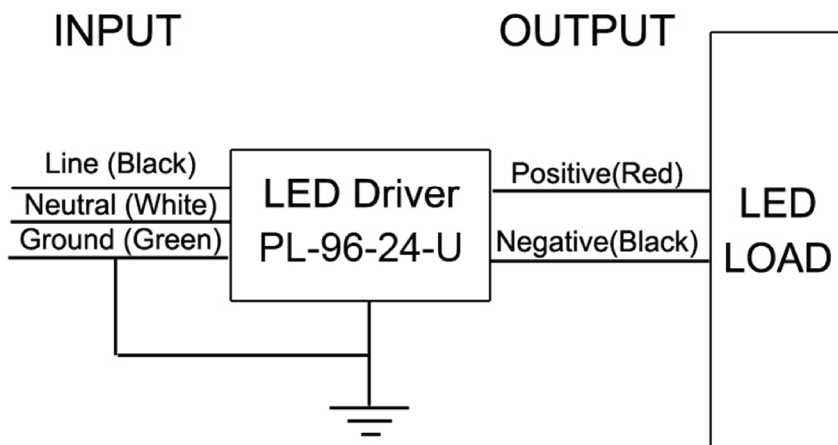


## MECHANICAL OUTLINE:



Unit: mm

## WIRING DIAGRAM:



@ www.p-led.com

☎ (325) 227-4577

📍 3490 Venture Drive, San Angelo, Texas 76905

✉ info@p-led.com