

DIMMABLE POWER SUPPLIES USING 701666 UNIVERSAL DIMMING CONTROLLER

Wiring Diagram

Electrical Connection

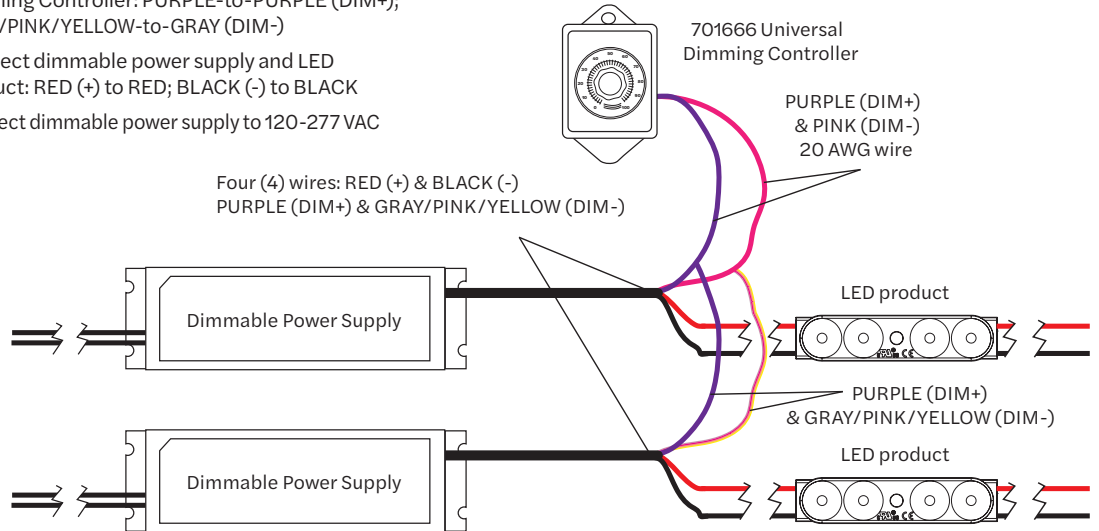
Suggested dimmable power supply list:

- 701507-60C3D
- 701895-60S1D
- 701895-24S2D
- 701895-100L1D

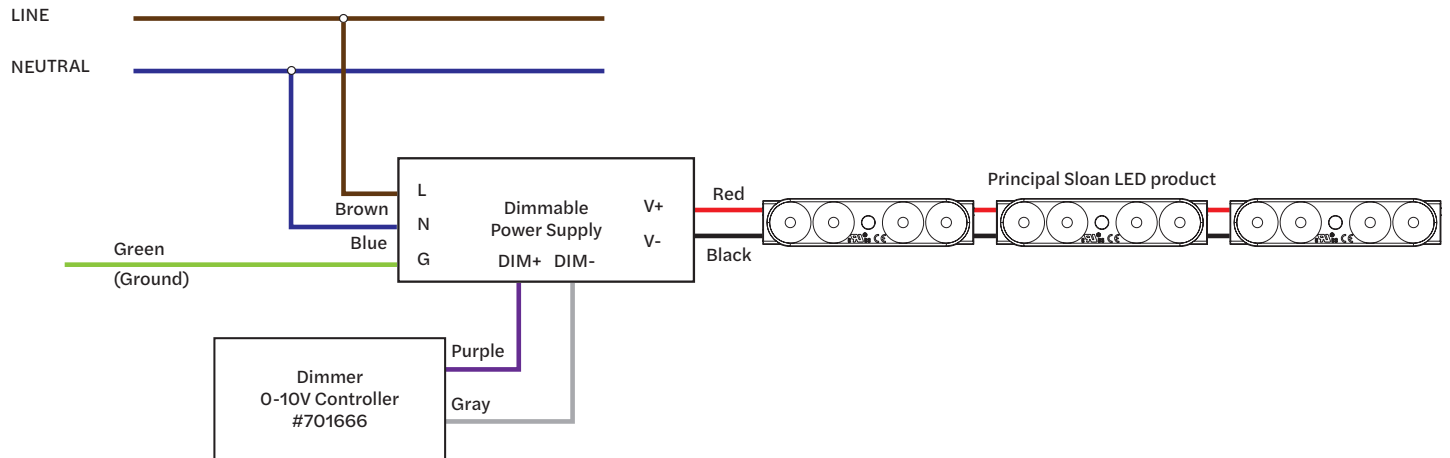
Connection:

- Connect dimmable power supply and Universal Dimming Controller: PURPLE-to-PURPLE (DIM+); GRAY/PINK/YELLOW-to-GRAY (DIM-)
- Connect dimmable power supply and LED product: RED (+) to RED; BLACK (-) to BLACK
- Connect dimmable power supply to 120-277 VAC

NOTE: 12 V circuit must be limited to 5 A (60 W) or less. 24 V circuit must be limited to 4 A (96 W) or less. For North American installation, a power supply that meets NEC Class 2 specifications is required. Maximum number of power supplies: Ten (10).



Wiring Diagram



Customer service and technical support

- principalsloan.com
- 325.227.4577
- 3490 Venture Dr., San Angelo, TX 76905

