

HanleyLED

# WINGSPAN DOUBLE-SIDED

Extreme brightness solution for illuminating custom-built double-sided cabinets and pylon signs

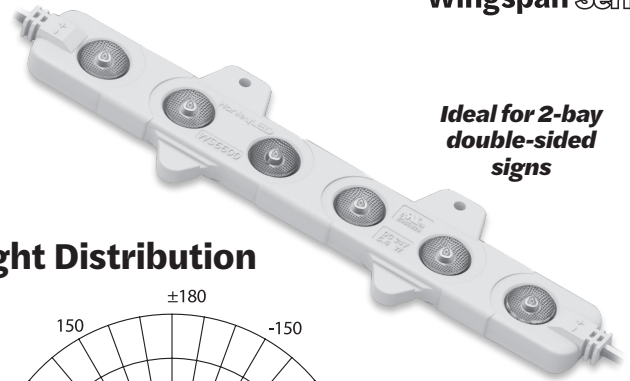
**24**  
**VDC**



Wingspan Series

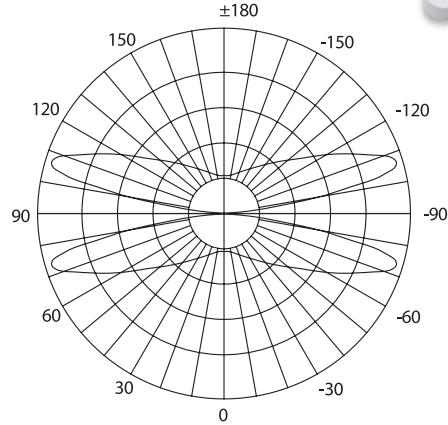
## Specifications

- SKU ..... HLED-WS6600W
- Beam angle ..... 175°
- Power (W) ..... 5.4 W/mod (customizable W/ft)
- Color temperature ..... 7000 K
- Efficacy ..... 165 lm/W
- Lumens ..... 891 lm/mod (customizable lm/ft)
- Modules/ft ..... 0.6/ft fully-stretched  
(customizable up to 1 mod every 2 ft)
- Environment ..... IP67
- Operating temp. .... -25° C to +60° C
- Storage temp. .... -40° C to +70° C
- Cascade ..... 15 mods single-ended power feed  
30 mods double-ended power feed
- Packaging ..... Anti-static bag, 15 modules (25.0 ft)/bag
- Warranty ..... 10-Year Product/5-Year Limited Labor



**Ideal for 2-bay  
double-sided  
signs**

## Light Distribution



## Power Supply Options

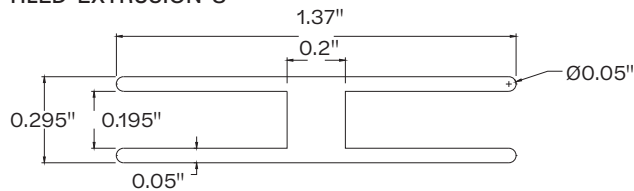
Product	35 W, 24V	60 W, 24V	96 W, 24V	100 W, 24V	150 W, 24V	240 W, 24V	288 W, 24V
Wingspan Double-sided	6 mods	11 mods	17 mods	17 mods	26 mods	44 mods	51 mods

## Spacing Chart

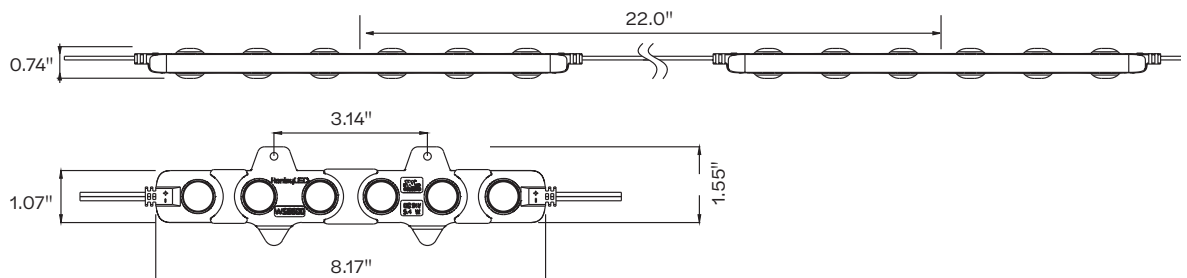
Double-sided depth	MAX row spacing
10"	13"
12"	18"
14-15"	22"
16-17"	24"
18-19"	28"
20-30"	30"

## Accessories

**Extrusions – 8-ft sections**  
HLED-EXTRUSION-8



## Dimensions



principalsloan.com  
325.227.4577  
3490 Venture Dr., San Angelo, TX 76905

